



---

# BASKETBALL SET

---

## MANUAL

# ATTENTION!

SAFETY INFORMATION, INSTALLATION, CARE AND MAINTENANCE INSTRUCTIONS.  
READ PRIOR TO ASSEMBLING AND USING THE PRODUCT.

Vuly cares about safety.  
Adult supervision is required at all times whilst equipment is in use.



Visit [www.vulyplay.us/install](http://www.vulyplay.us/install)  
for step by step video instructions, or scan this QR code  
If you have any feedback regarding our instructions, feel free to  
email [instructions@vulyplay.com](mailto:instructions@vulyplay.com) so that we can continue to improve.

# INDEX



Assembly for Thunder Pro, Thunder, Lift and Vuly series

**PAGE 6**



Assembly for Ultra

**PAGE 7**



Assembly for Flare

**PAGE 10**



Quest

**PAGE 13**



Assembly for Max

**PAGE 16**

# DISCLAIMER

The following Conditions of Sale will apply to, and bind the purchaser of, any Vuly USA Operations Corp (3666901) product.

## NOTICE TO USER:

Please read this agreement carefully before purchase or assembly. By purchasing, opening and assembling this product you acknowledge that you have read this agreement, understand it and agree to be bound by its conditions. If you are making a purchase on behalf of another person, you agree that you are making the purchase as their agent.

## LEGAL RIGHTS – PLEASE READ:

EXCLUSION OF LIABILITY – WAIVER OF RIGHT TO SUE – YOUR ASSUMPTION OF RISK – THESE CONDITIONS AFFECT YOUR LEGAL RIGHTS.

Vuly USA Operations Corp. (3666901) (“Vuly”), as supplier of trampolines and accessories (“Products”), sells all Products subject to the following conditions:

1. To the maximum extent permitted by the law, Vuly, its employees, directors and agents will not be liable to the customer, their dependents or legal representatives for damage to property, personal injury or death suffered by the customer because the Product was not manufactured or supplied with due care and skill, the Product is not reasonably fit for its purpose or because of negligence, breach of contract, breach of statute or breach of statutory duty by Vuly.
2. Vuly, its employees, directors and agents are not liable to the customer, their dependents or legal representatives for personal injury or death suffered by the customer because the Product was not:
  - a. installed in accordance with the Vuly instruction manual. It is the customer’s responsibility to check all boxes to confirm that all components are included and in the correct condition before assembly.
  - b. installed with due care and skill, by a the customer or a third party assembly service; and
  - c. in the same condition as when the Product was supplied, due to wear and tear – including, but not limited to, weather damage, deterioration of the net, spring stretch, UV deterioration or rust.
3. The customer acknowledges that using the Product can be dangerous, with inherent risks and hazards. As a consequence, personal injury or death may occur. The customer assumes and accepts all such risks, and hereby – to the full extent permitted by law – waives the right of action against, and fully releases Vuly for, loss, damages, personal injury or death in any way caused by, or relating to, the customer’s participation in such activities.

This includes – without limitation – liability for any negligent or tortuous acts or omission, breach of duty, breach of contract or breach of statutory duty on the part of Vuly, its office bearers, directors, employees or agents.



**ADULT SUPERVISION IS REQUIRED AT ALL TIMES WHILST EQUIPMENT IS IN USE. VULY CARES ABOUT SAFETY.**



See [VulyPlay.us/Terms](https://www.vulyplay.us/terms) for the most recent Vuly warranty policies, terms and conditions.



## WARNING:

To reduce the risk of injury while using the system, enforce the following:

### Safe use information

- Minimum user age – 6 years.
- Maximum number of users – 1.
- Domestic and outdoor use only.
- Adult assembly required.
- Adult supervision required at all times.
- Inspect before and after each use.
- Replace any worn, deteriorated, defective or missing parts immediately and only through Vuly.
- Check for any rusting before each use. Remove it, and repaint with exterior enamel. If the rusting has penetrated any steel component, replace it immediately.
- Check all coverings and bolts for sharp edges and replaced when required.
- Ensure active and competent adult supervision at all times while children are using the system.



**WARNING!** Risk of strangulation or death due to items restricting airways, becoming entangled or entrapped by the equipment.



**WARNING!** The system may become hot enough under direct sunlight and cause burning injuries.



**WARNING!** Ensure that the system is secured with anchors or bolts before use.

---

### Assembly information

- Ensure that the system has been assembled by 2 adults, in accordance with the assembly instructions.
- Keep a minimum of 26.2 ft (8 m) overhead clearance, when measured from the bed height, to prevent users from inadvertently contacting overhead hazards – such as electric wires, tree limbs and clotheslines.
- Maintain a minimum clearance of 6.6 ft (2 m) on all sides of the trampoline. This area should not include concrete, bitumen, brick or other hard surfaces, as these can cause serious injuries if users fall off the trampoline.
- Ensure that the system is installed over impact absorbing surfaces such as grass and is not be installed over concrete, asphalt or any hard surface. A fall onto a hard surface can result in serious injury or death to the equipment user.
- Exercise caution if using a ladder during assembly.
- Ensure that the system has been checked over before use, and that all attachments are secure.
- Check that there are no overhead power lines within a 23 ft (7 m) radius of the Basketball Set.
- Make sure that the areas around, underneath and above the system are clear.
- Installation errors can cause falls from equipment, serious head injury or death.
- Retain this instruction manual for further reference.

### Usage and Behaviour

- Do not use in strong wind conditions or wet weather, and keep the system secure.
- Climb on and off the system with caution and only while the part is not moving. Never jump off.
- Exercise caution at heights.
- Refrain from playing on damaged equipment at all times.
- Keep your face away from the backboard, hoop and net during play (especially during 'dunking' activities).
- Keep hands and fingers away from moving parts.
- Remove jewellery before use; it may become tangled in the net.
- Keep water, or other organic material, away from the Basketball Set; it may cause the system to rust and fail.
- Demonstrate safe use for children before allowing them onto the system.
- Do not walk close to, in front of, behind, or between moving items.
- Ensure that all players know and follow these rules to safely operate the Basketball Set.

# MAINTENANCE

Improper use or lack of care can lead to your Basketball Set deteriorating earlier than expected. Please follow all of these care instructions to ensure that your Basketball Set lasts for as long as possible.

## Weather Care



Cover or remove your Basketball Set when not in use. Long-term exposure to the elements may fade the material on the hoop.



Disassemble your Basketball Set and store during inclement weather. The additional weight on a trampoline's Net Poles can increase the chance of your Safety Net becoming damaged.

## Storage

Store in a cool, dry place in the original packaging.

## IMPORTANT NOTES

### Metal Rust and Corrosion

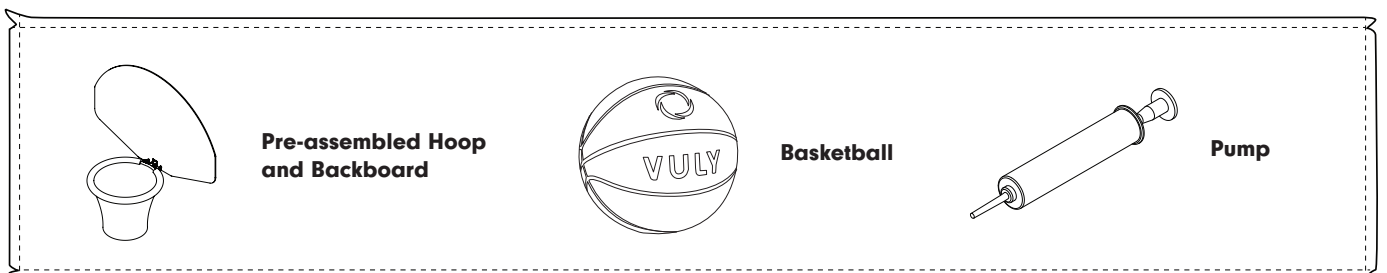
- Be aware of areas that are particularly prone to rusting:
  - Places where water is easily trapped.
  - Hollow sections of steel (which can appear in good condition on the outside, while hiding rust on the inside).
  - Weld lines.
  - Sections where different metal components join together.
- Inspect the inside of the tubing every 6 months, and remove any water. Check tube and pole connection areas for rust.
- Use general purpose grease on steel connection areas to reduce the chance of corrosion.
- Avoid excessively cleaning steel components; it may reduce the effectiveness of our protective coatings.

### Textile deterioration

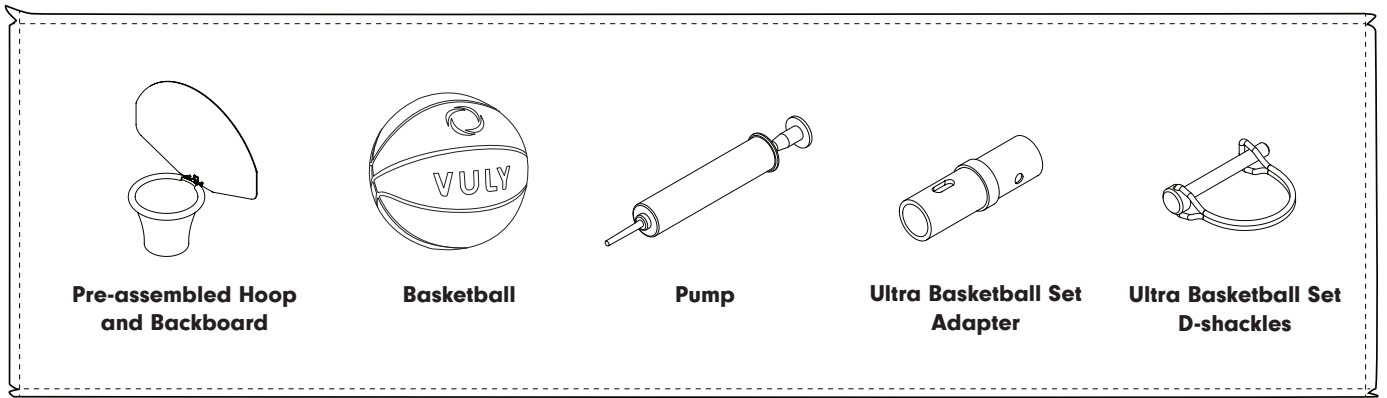
- Clean your hoop with a soft sponge only to avoid tearing or cutting the material.
- Avoid using powerful soaps or detergents; they can damage the hoop.
- Wipe dry any water used to clean the hoop with an absorbent cloth; do not leave the hoop to dry in the sun

# PARTS LIST

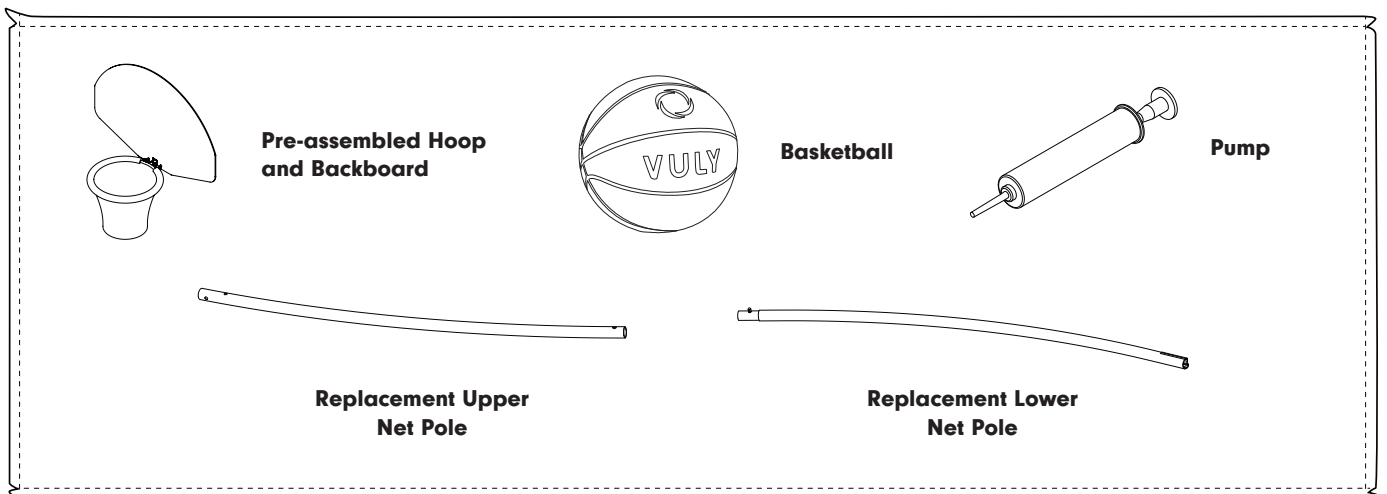
## Thunder Pro, Thunder, Lift and Vuly series



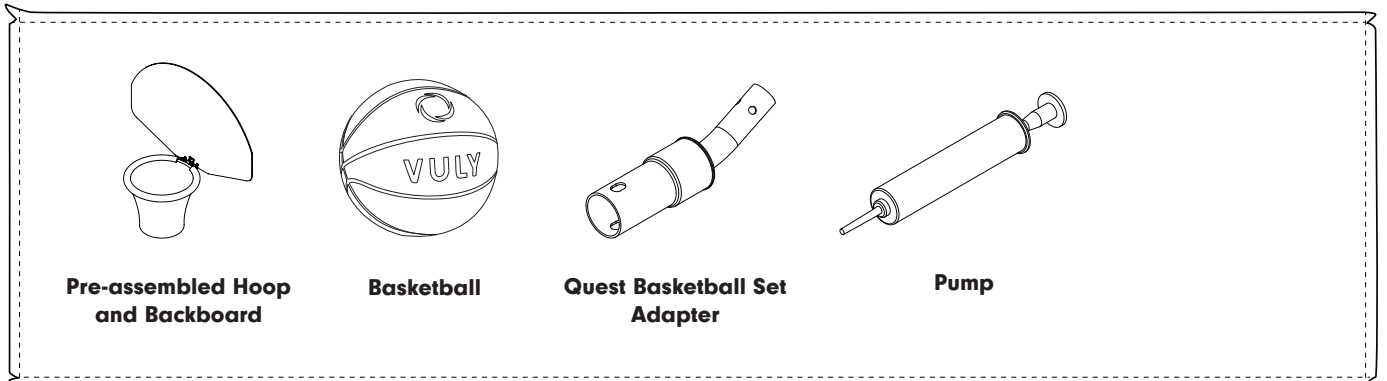
## Ultra series



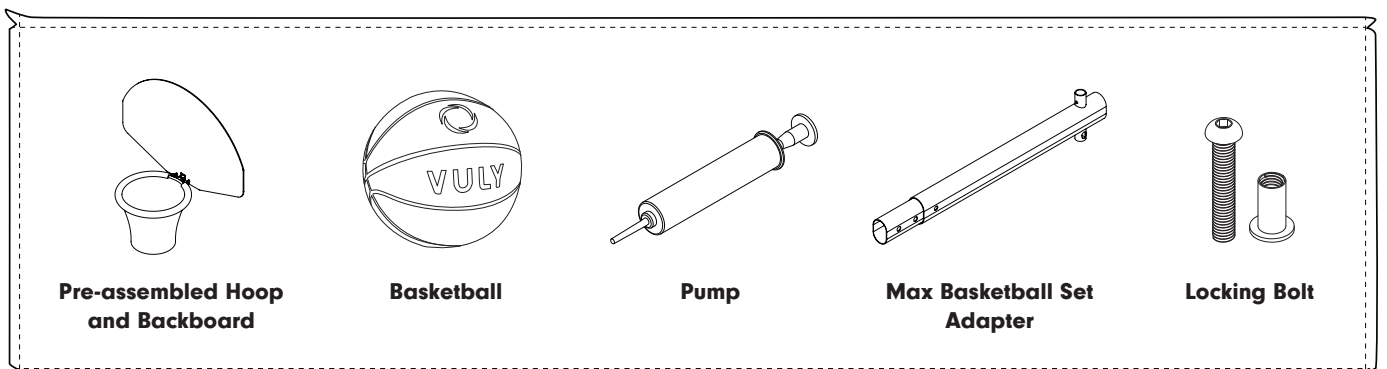
## Flare series



## Quest series

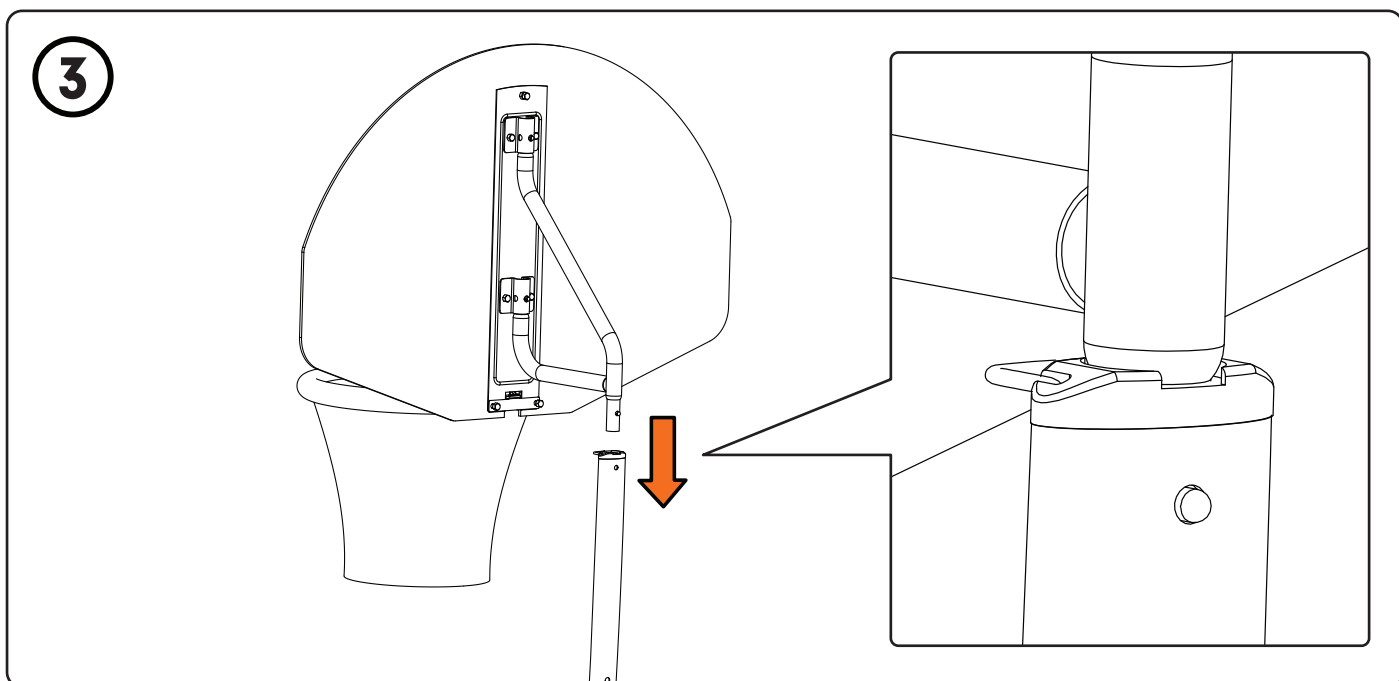
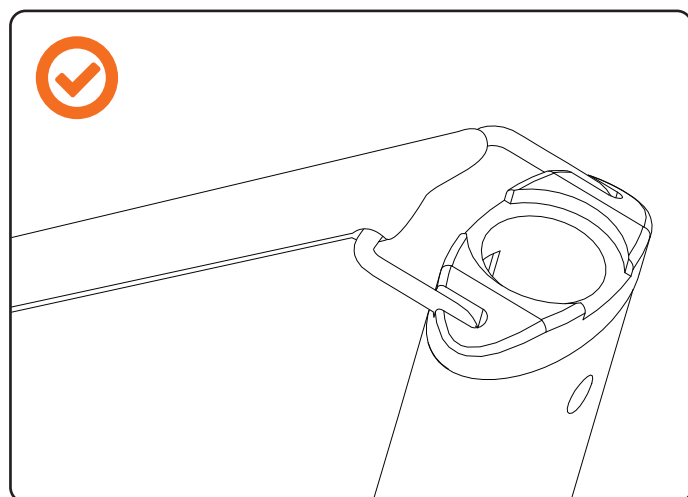
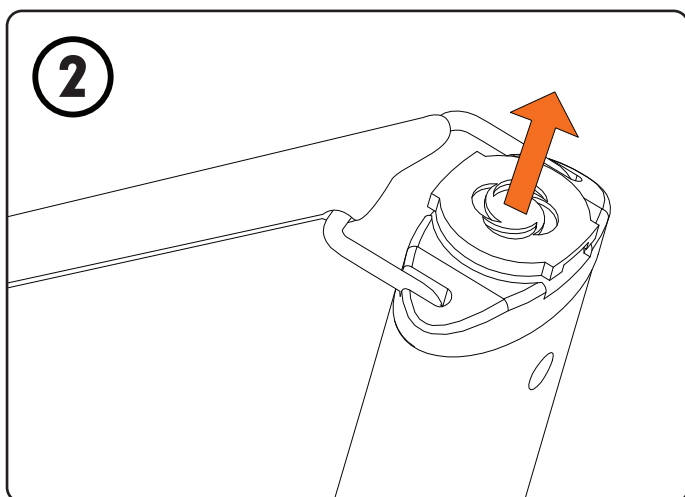
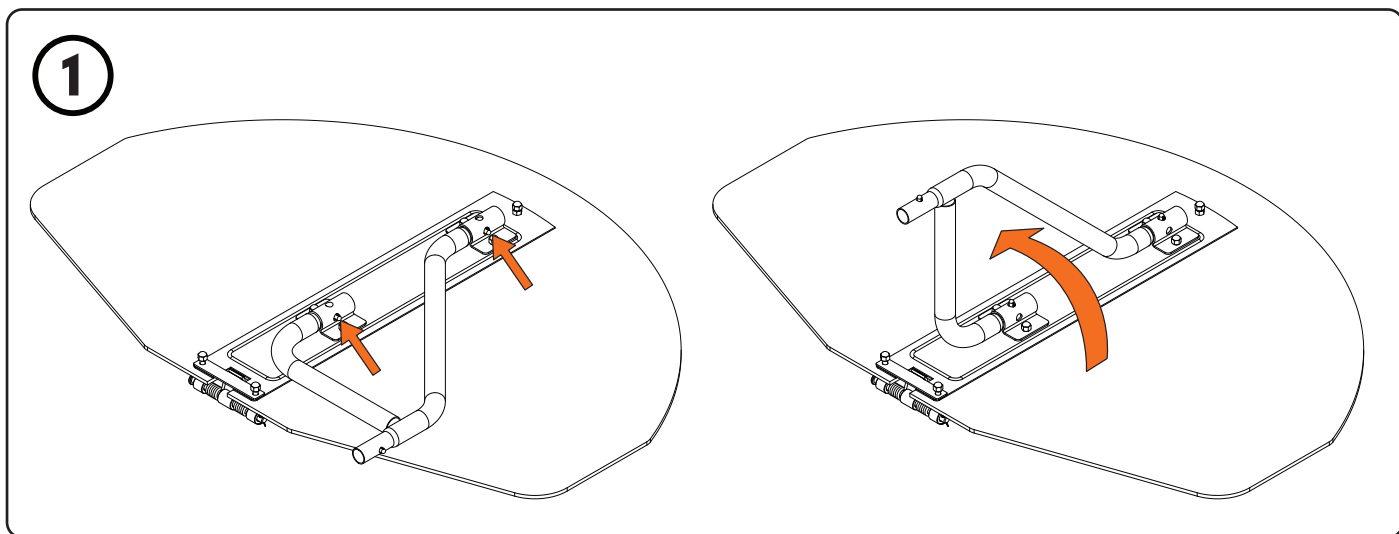


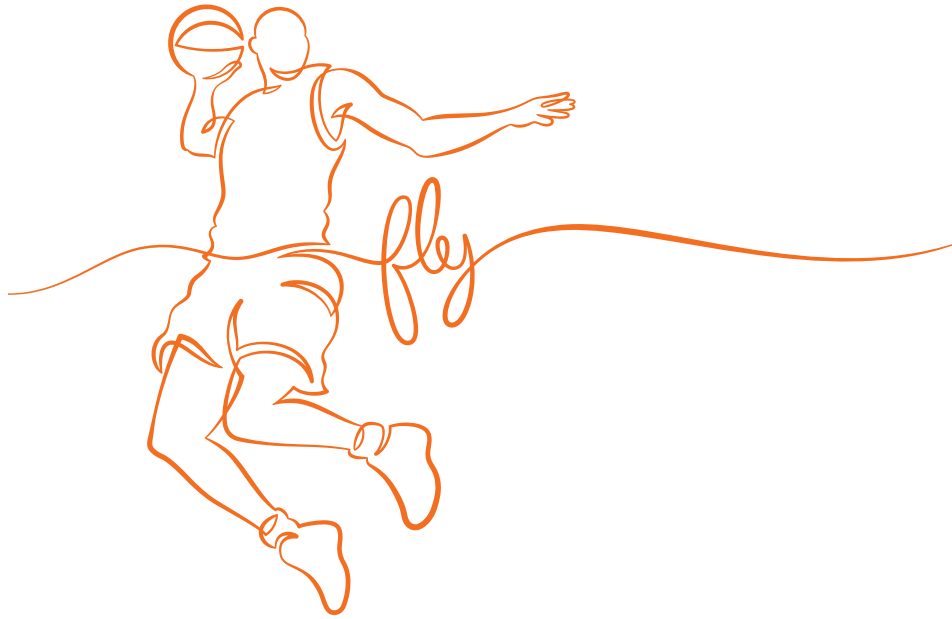
## 360 Pro Max series



# ASSEMBLY INSTRUCTIONS

## THUNDER, THUNDER PRO, LIFT AND VULY SERIES





---

# CONGRATULATIONS!

You have attached the Basketball Set to your Thunder, Thunder Pro, Lift and Vuly series.

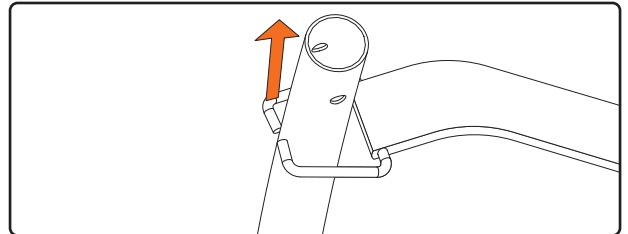
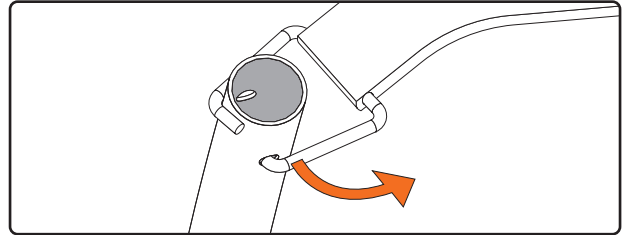
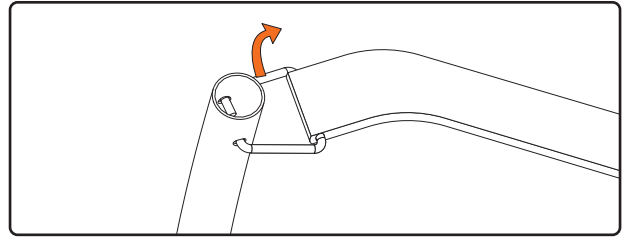
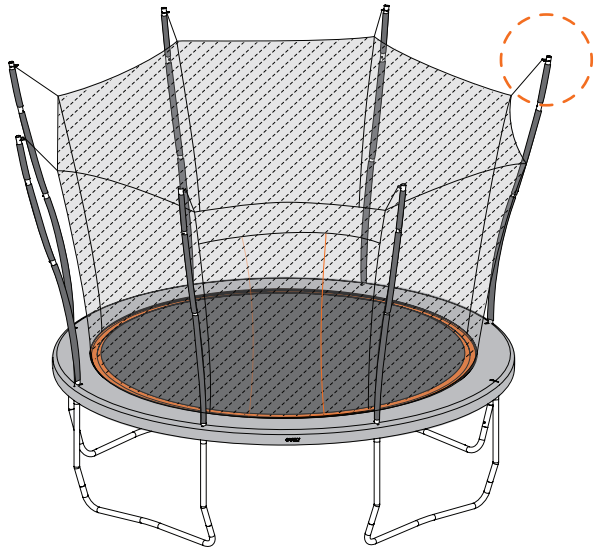
---



# ASSEMBLY INSTRUCTIONS

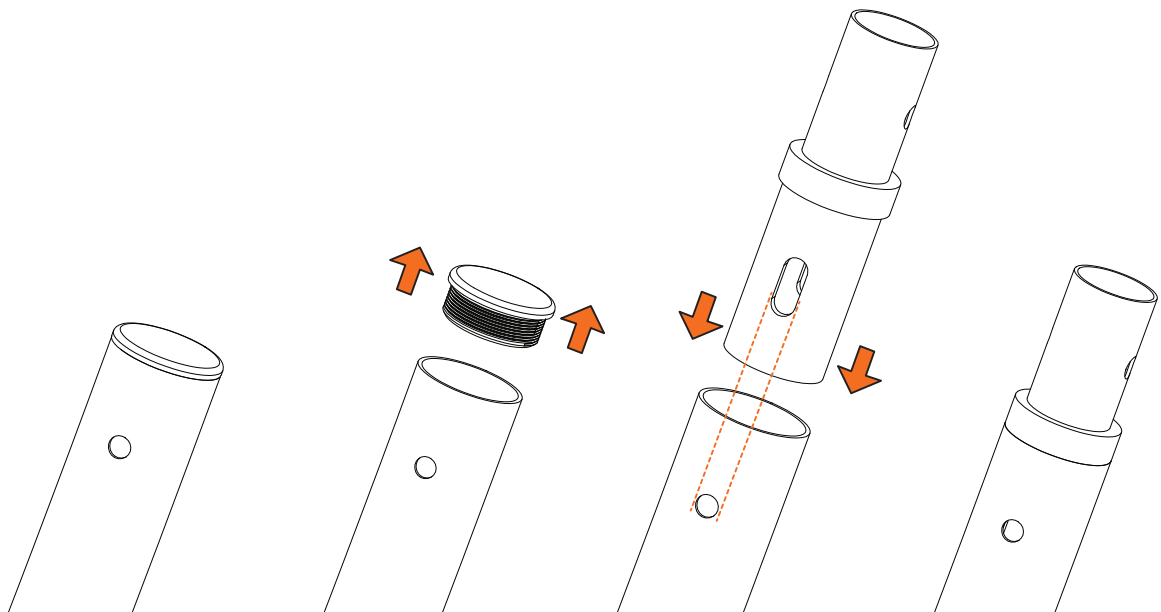
## ULTRA SERIES

1

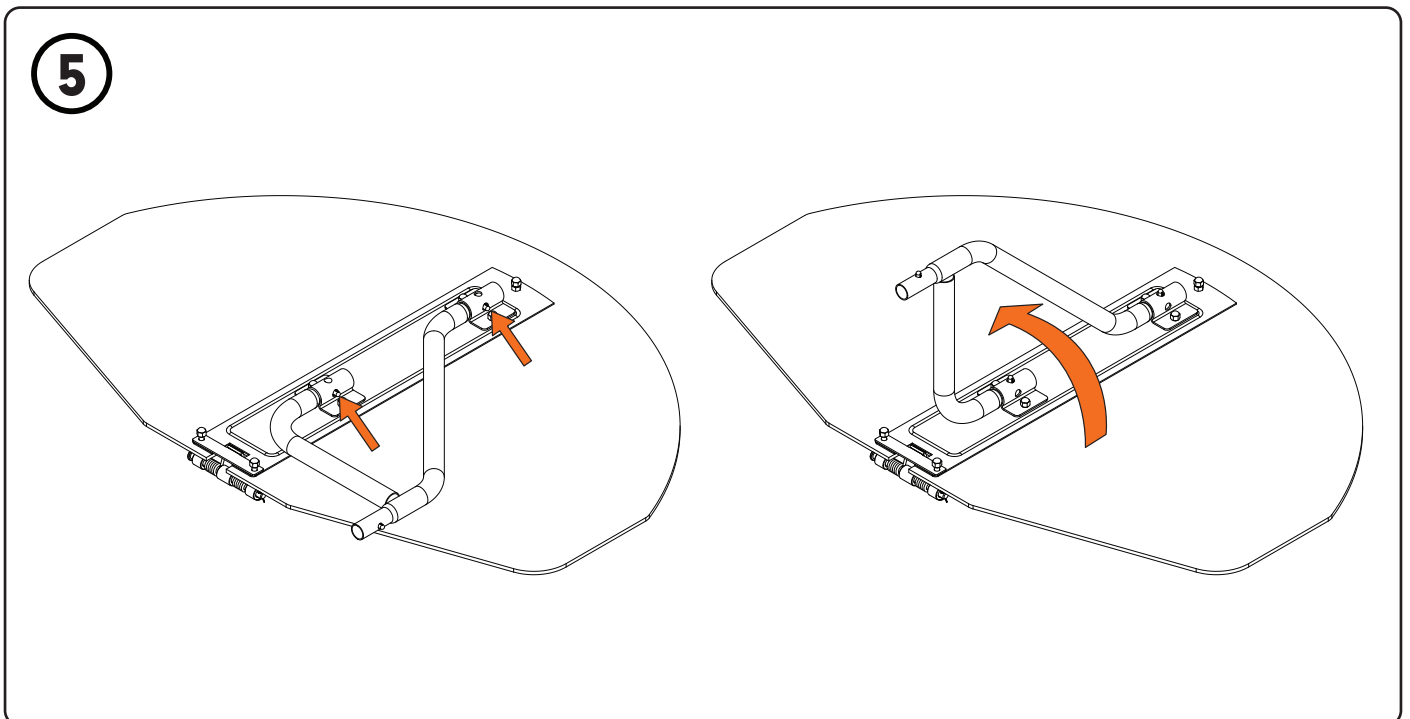
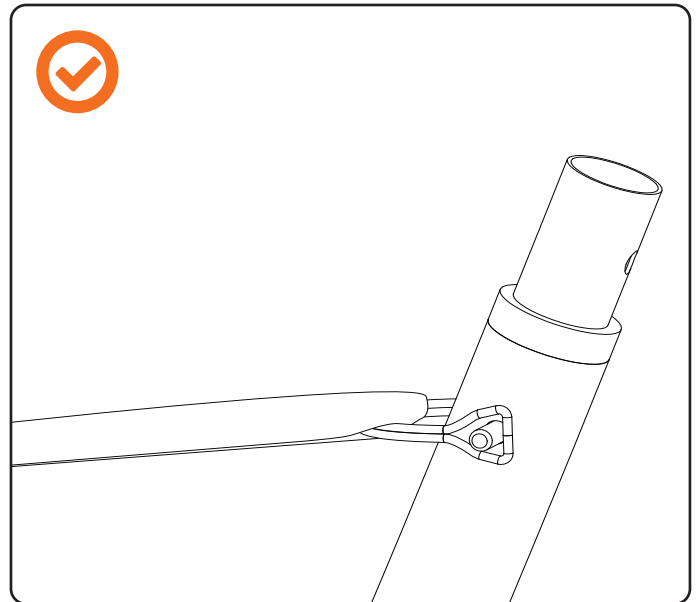
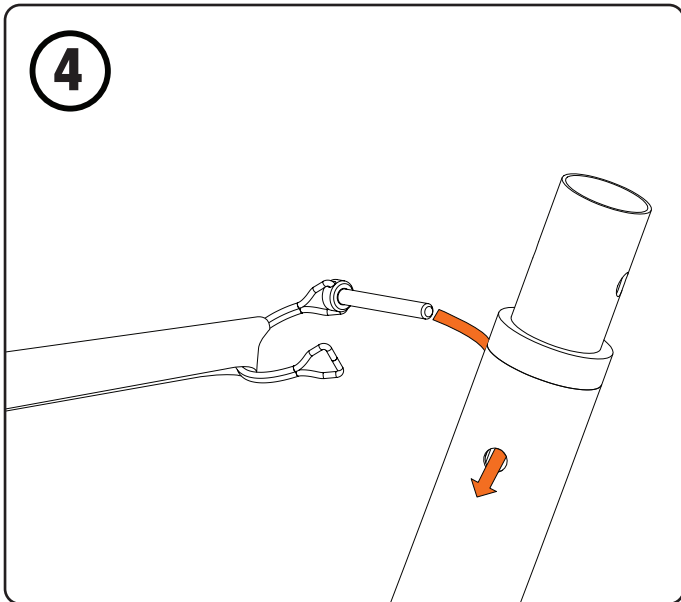
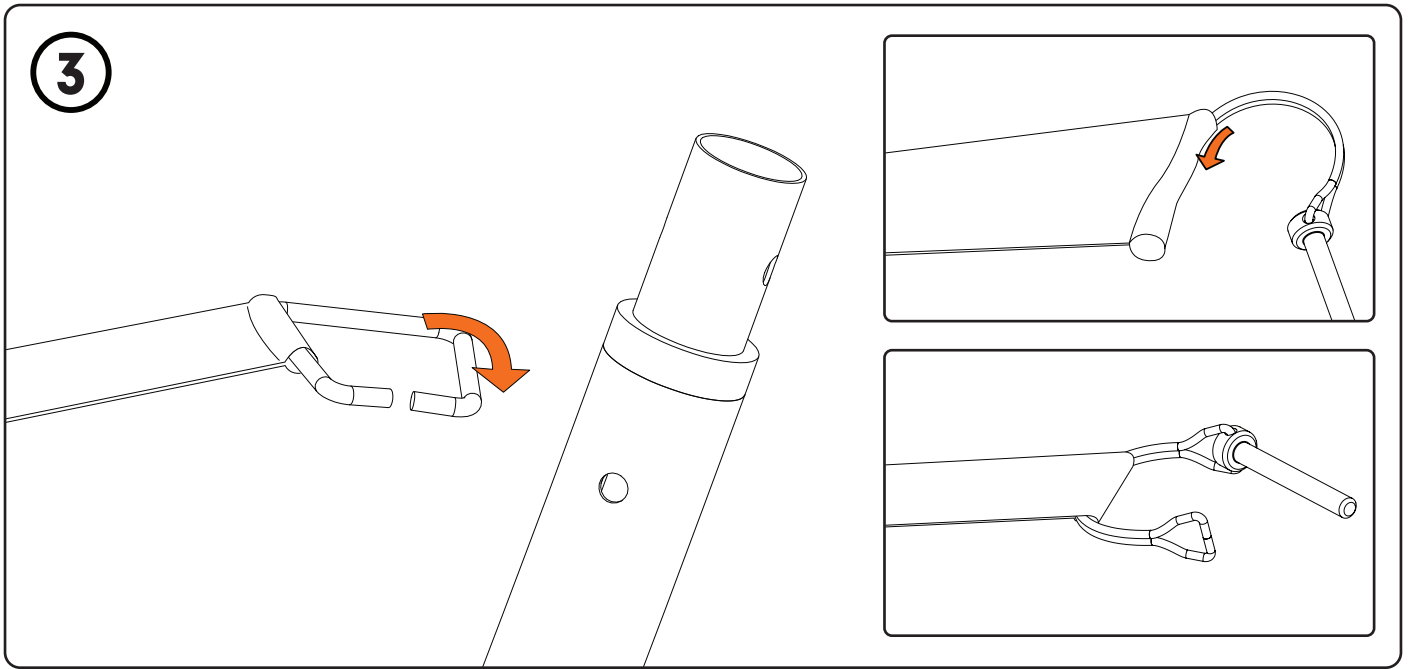


Disconnect safety net from your chosen Upper Net Pole.

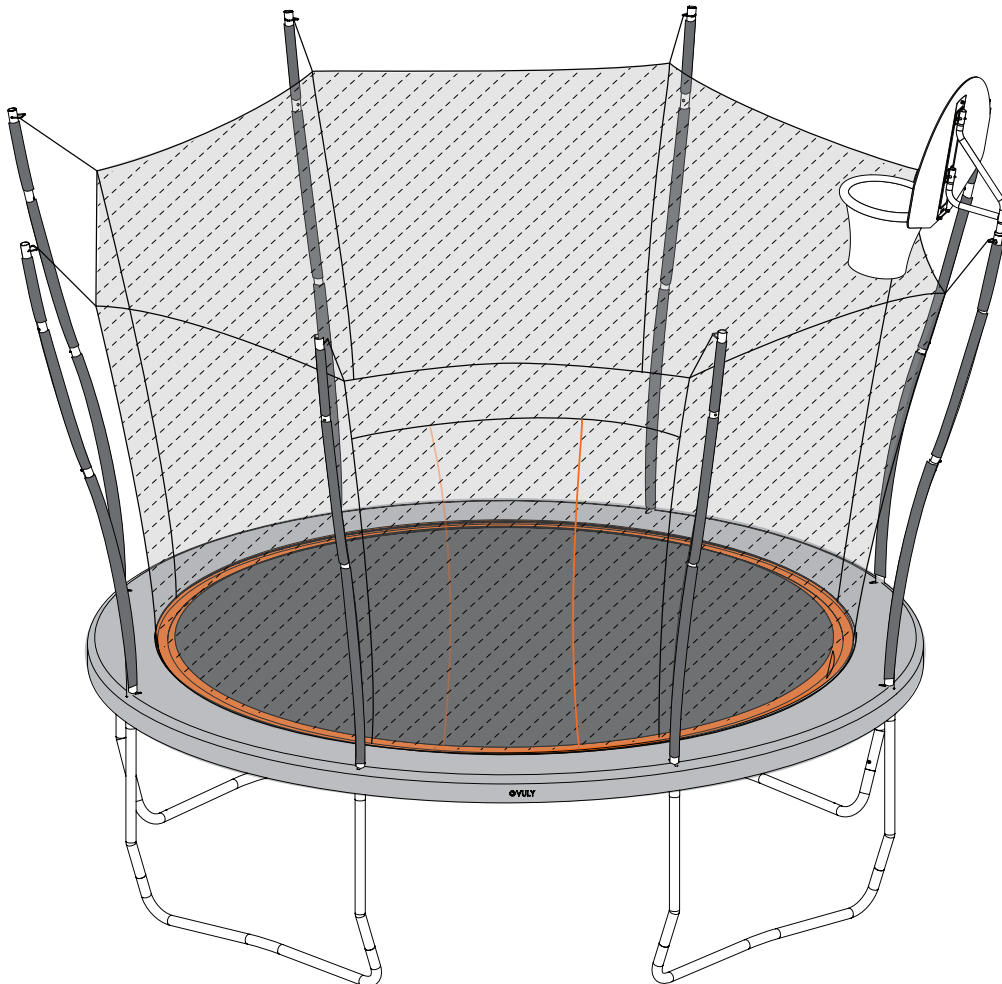
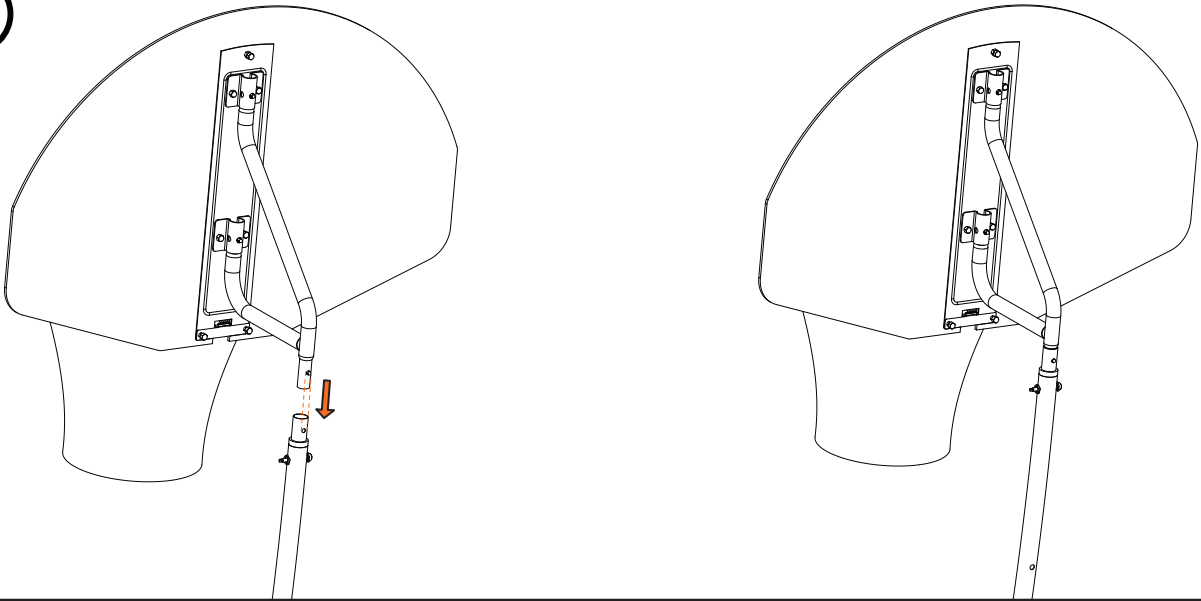
2



Install the adapter as shown above.



6



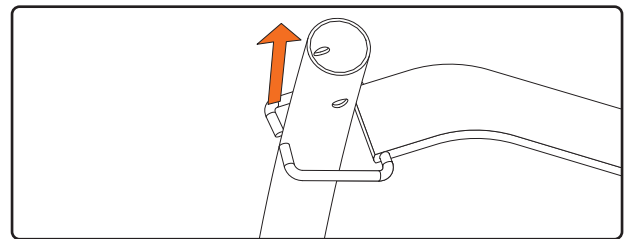
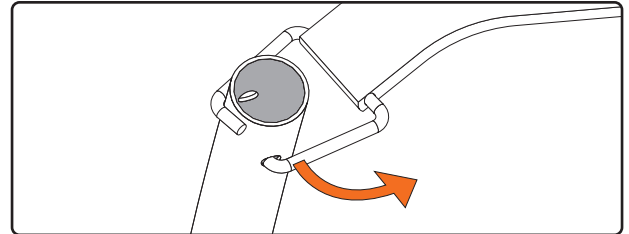
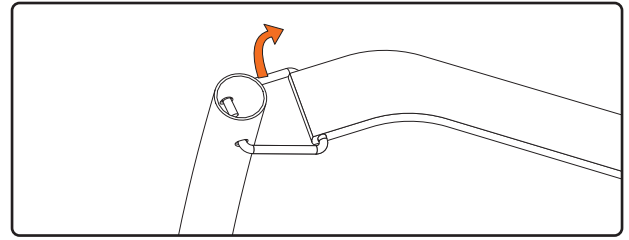
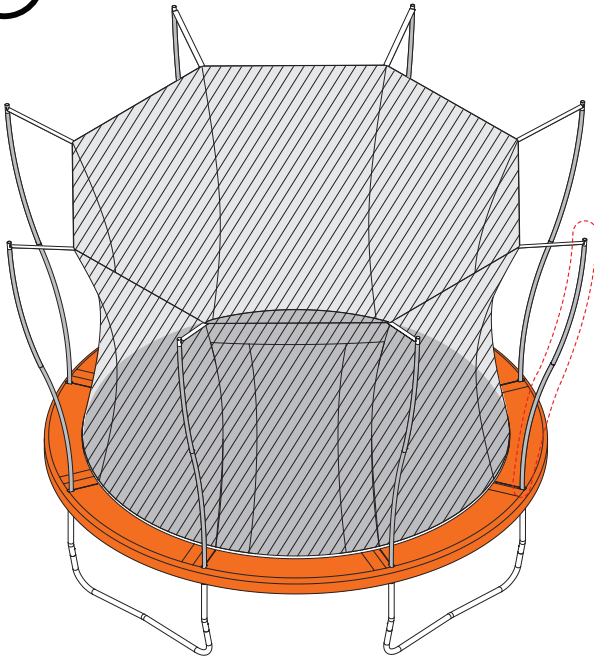
**CONGRATULATIONS!**

You have attached the Basketball Set to your Ultra.

# ASSEMBLY INSTRUCTIONS

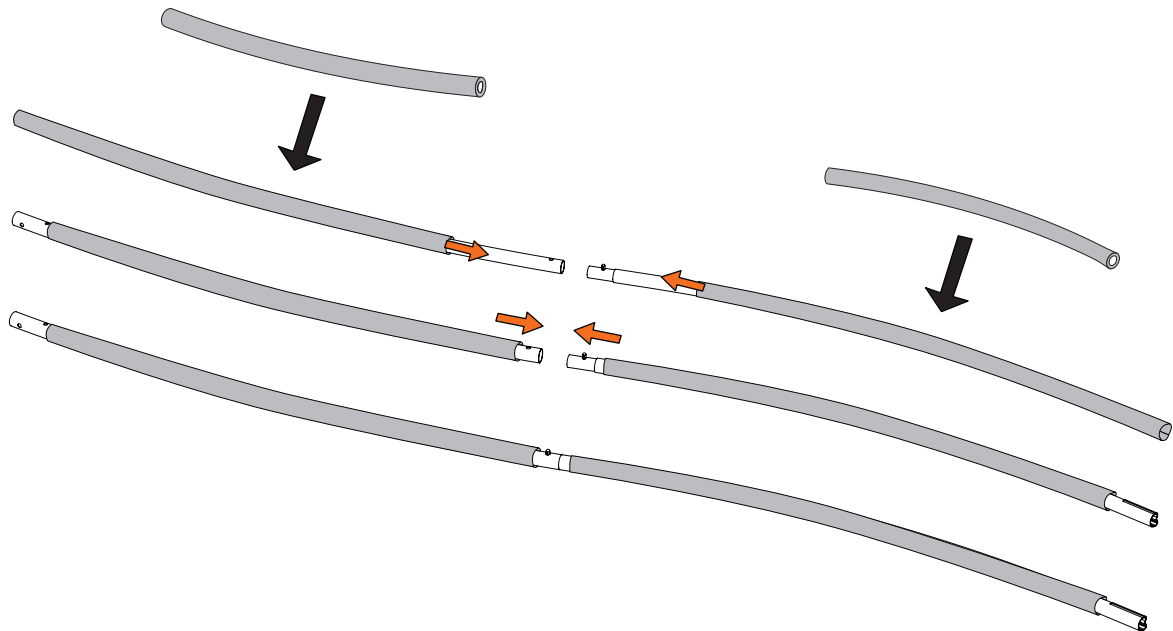
## FLARE SERIES

1



Choose a Net Pole on your trampoline where you want install your Basketball Set.  
Remove this original Net Pole.

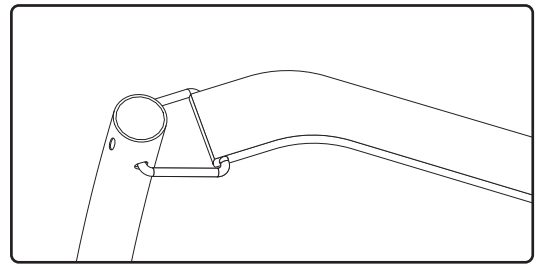
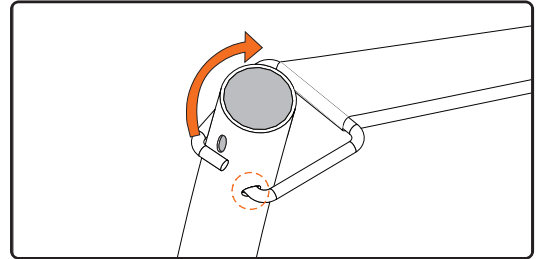
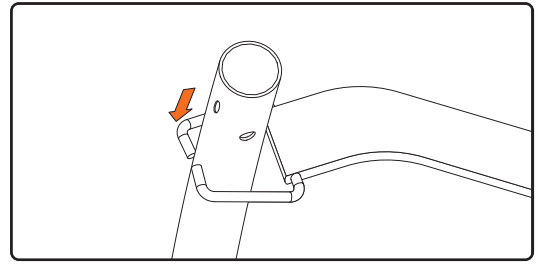
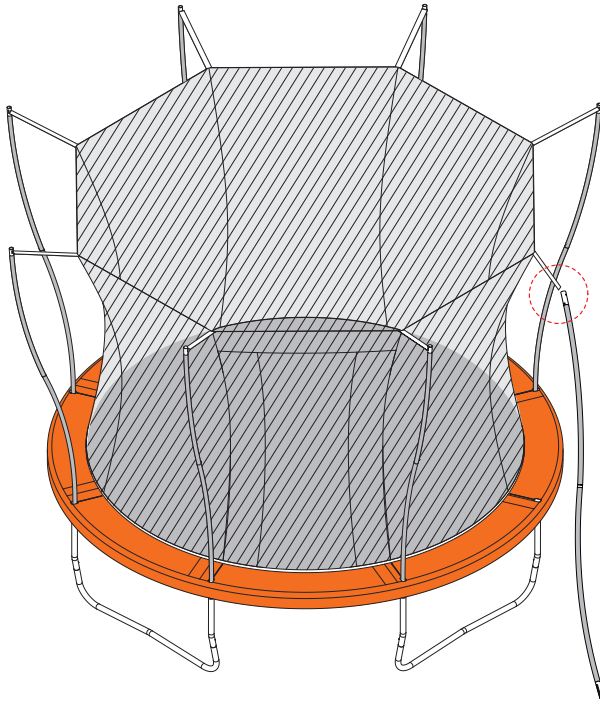
2



Remove the protective sleeve from the original net pole and insert into the **provided** upper and lower net pole.

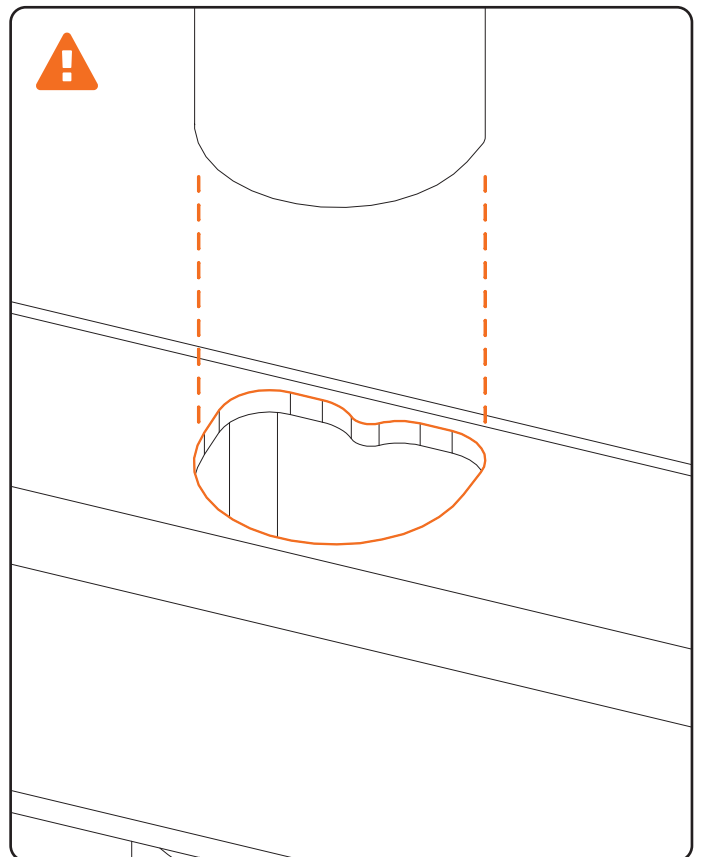
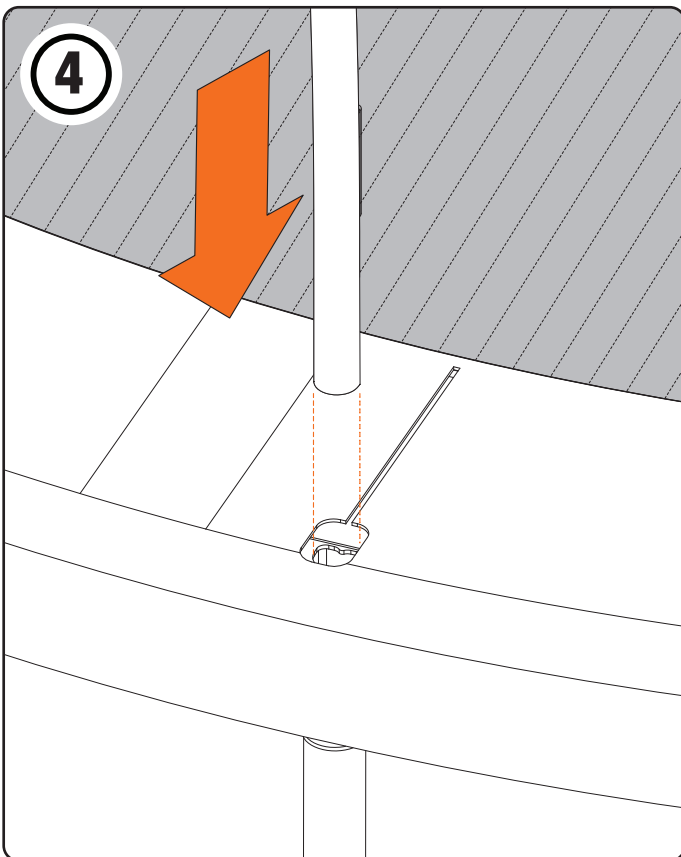
Insert the Lower Net Pole **provided** with your Basketball Set Adaptor into the **provided** Upper Net Pole.

3



Attach your existing Net Pole plug to your new Net Pole.

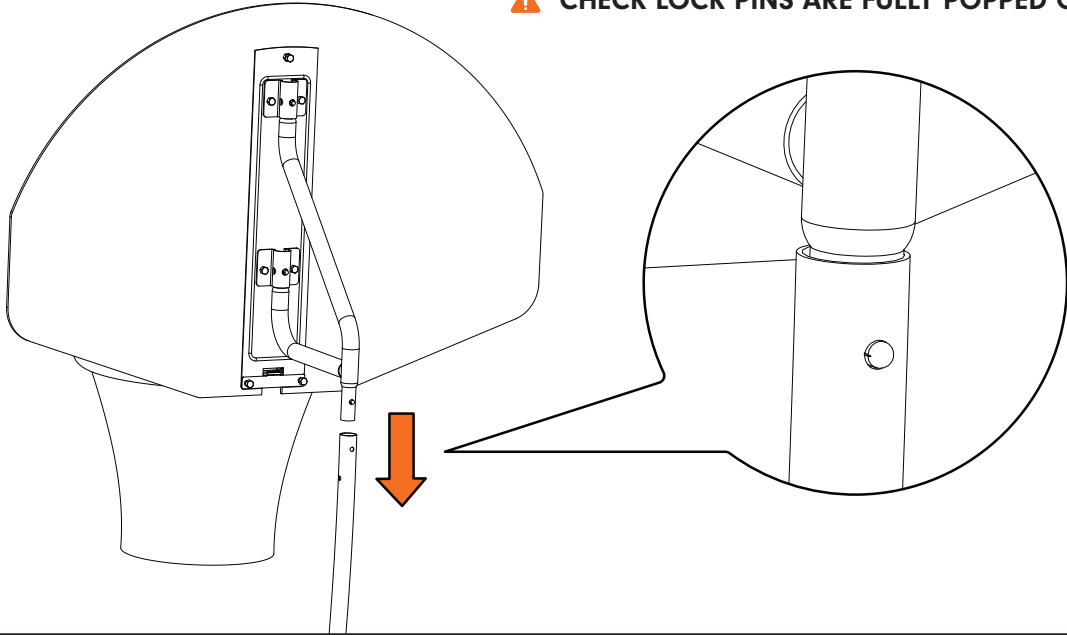
4



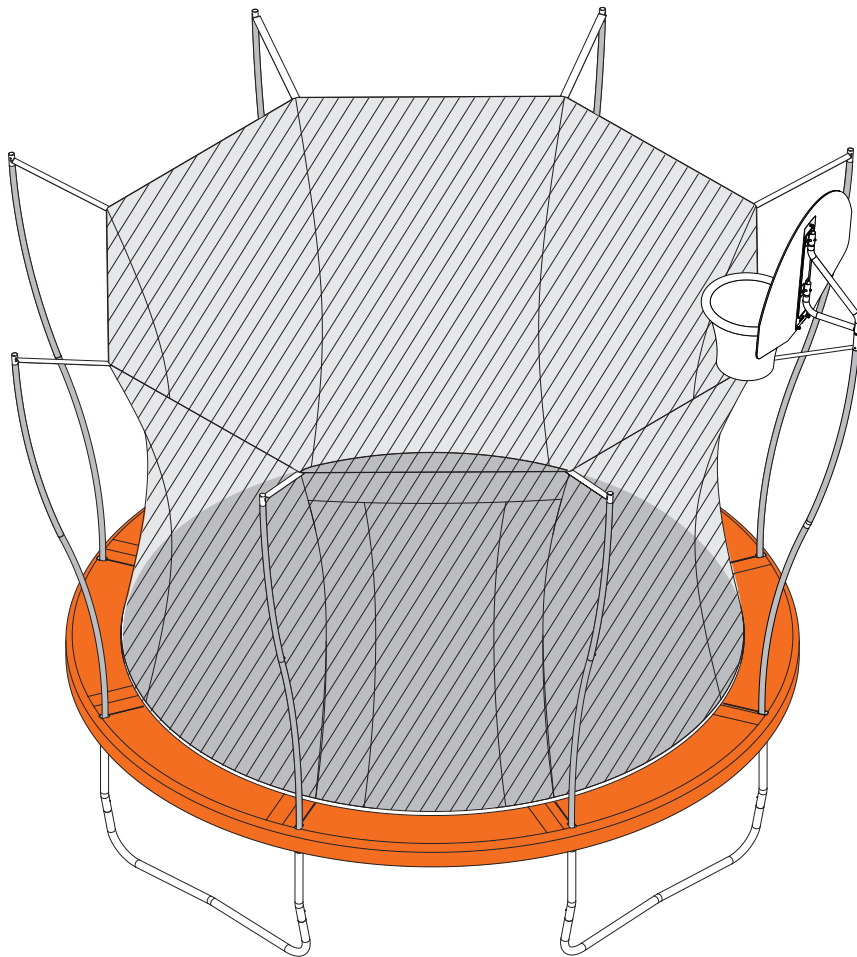
Insert the new completed Net Pole into the T-Joiner on your trampoline.

5

⚠ CHECK LOCK PINS ARE FULLY POPPED OUT



Insert the Basketball Set frame into the top of the Upper Net Pole.



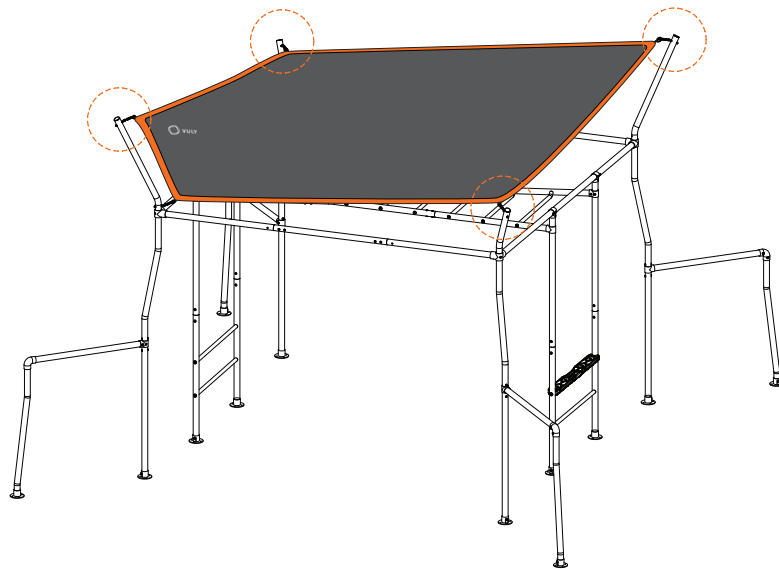
**CONGRATULATIONS!**

You have attached the Basketball Set to your Flare.

# ASSEMBLY INSTRUCTIONS

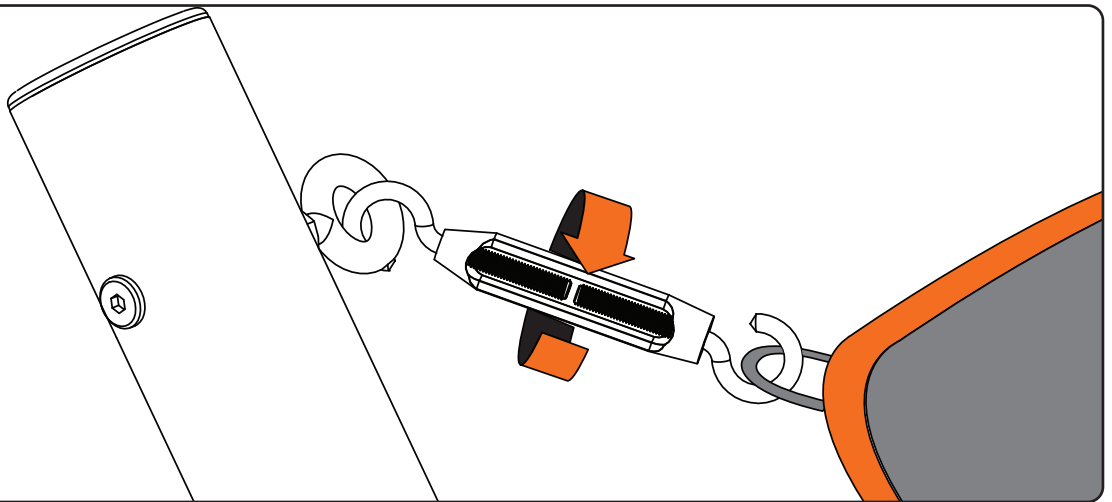
## QUEST SERIES

1

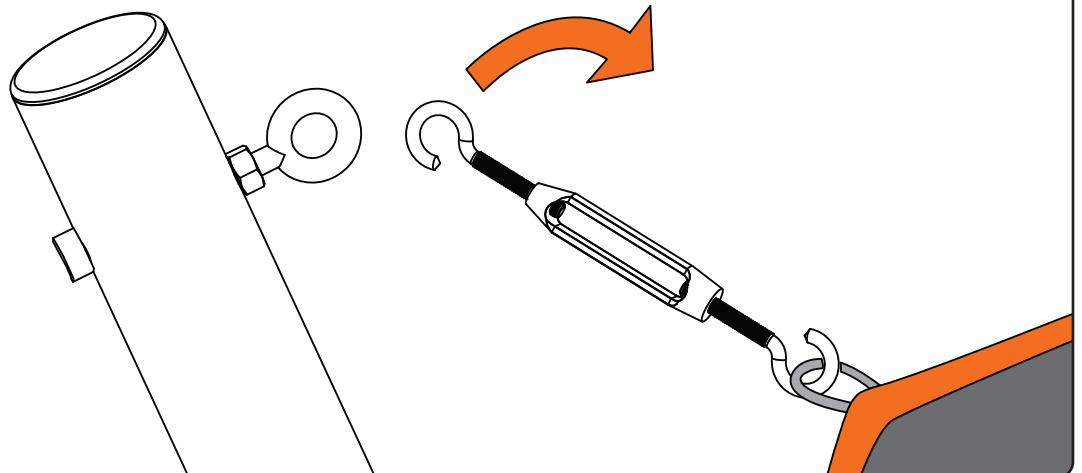


Select one of the shade cover tubes that the basketball set will be installed on.

2

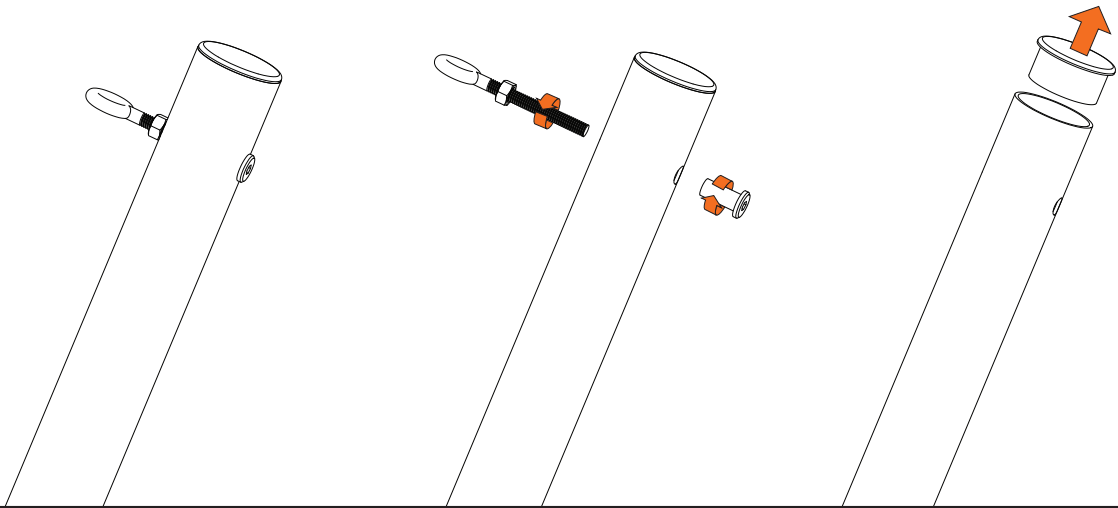


3

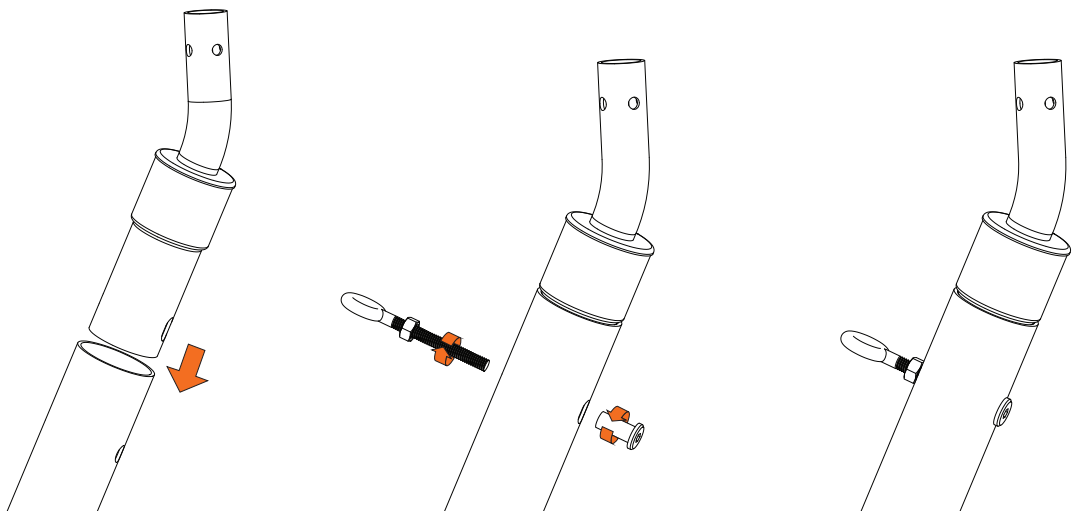


Loosen the tension hook and disconnect the shade cover from the tube.

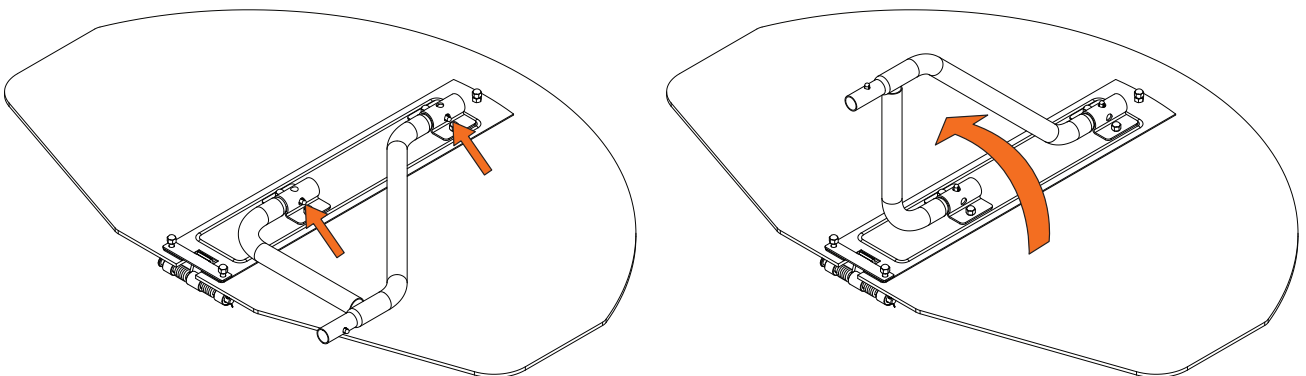
4



5



6

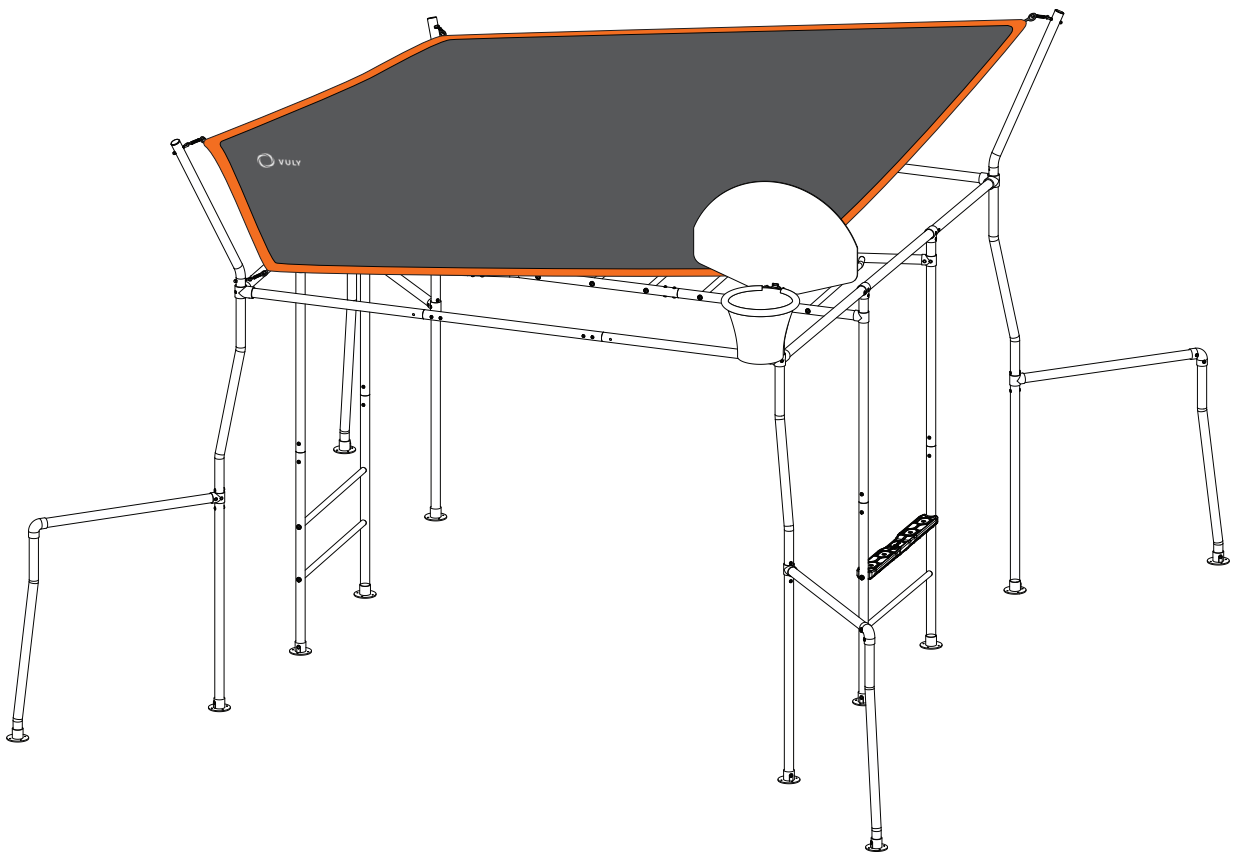
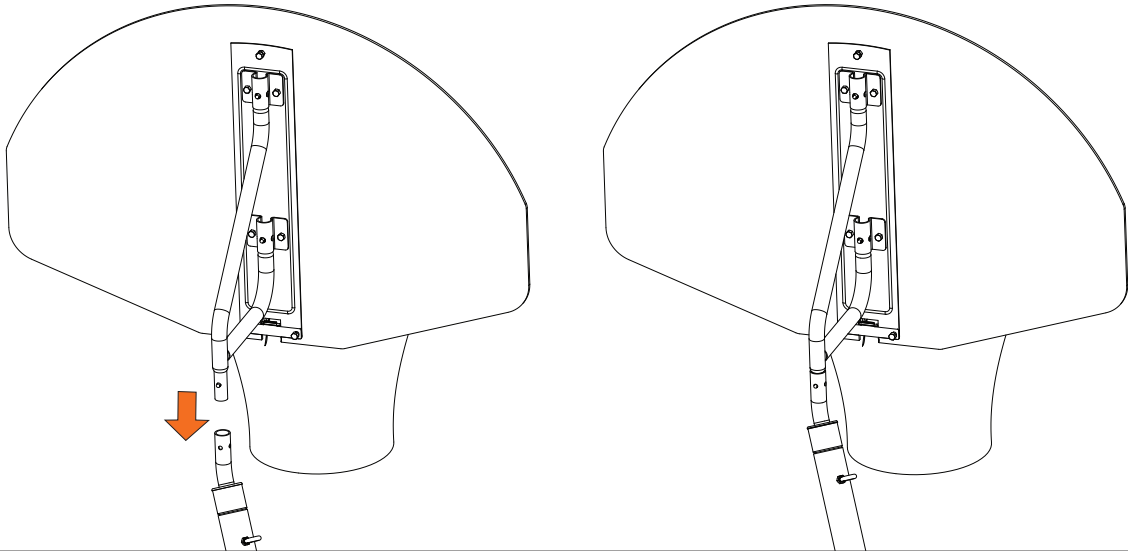


Click the frame on the backboard into position.



7

⚠ CHECK LOCK PINS ARE FULLY POPPED OUT

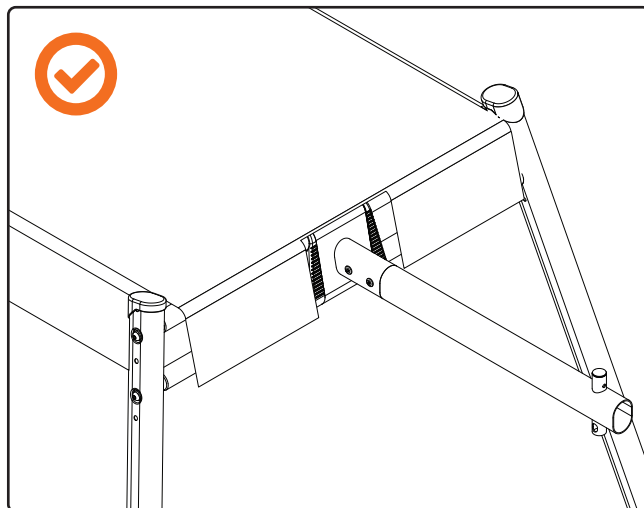
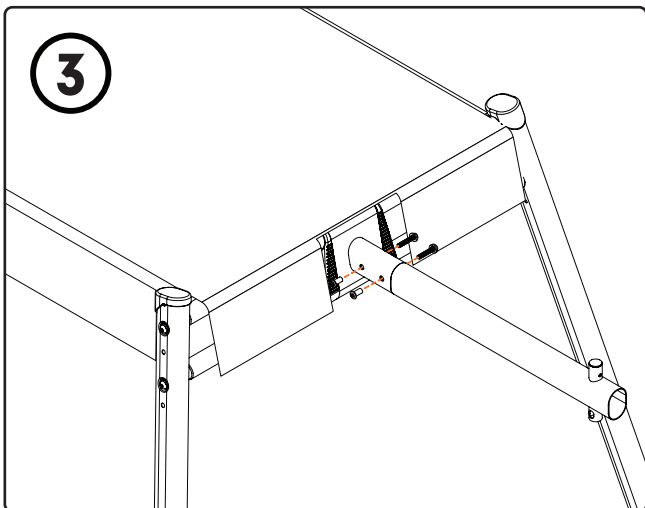
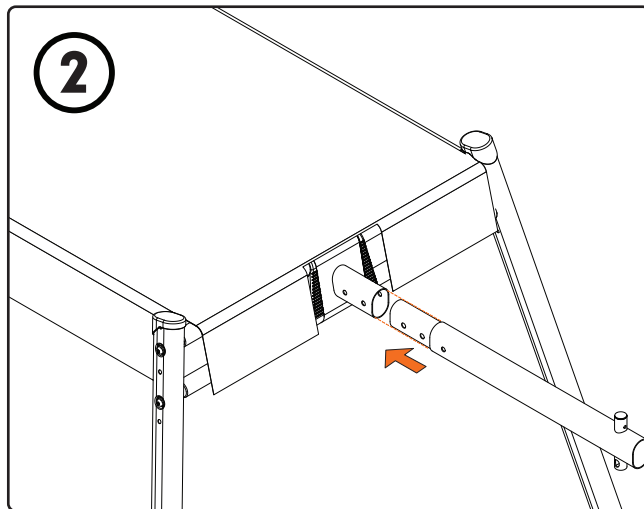
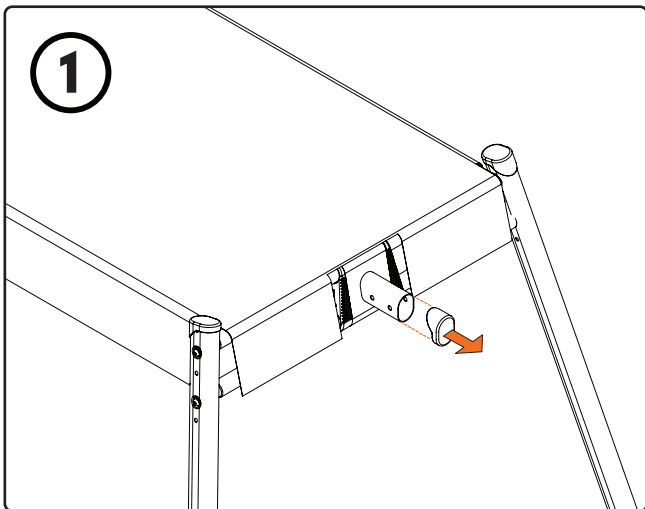
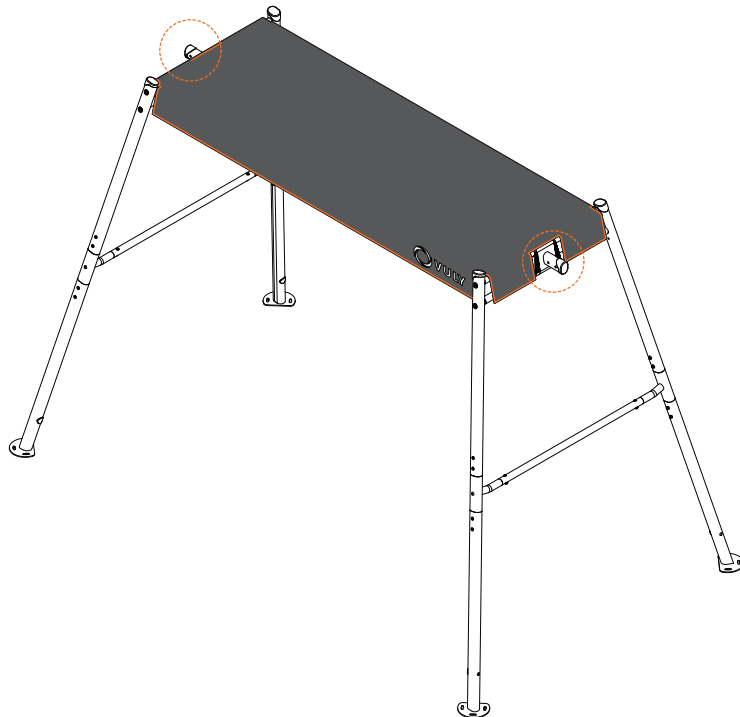


**CONGRATULATIONS!**

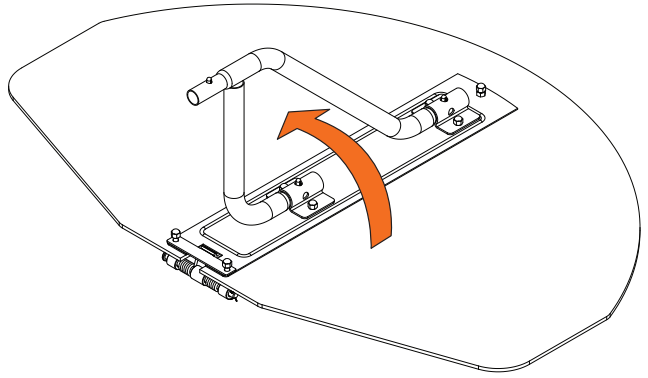
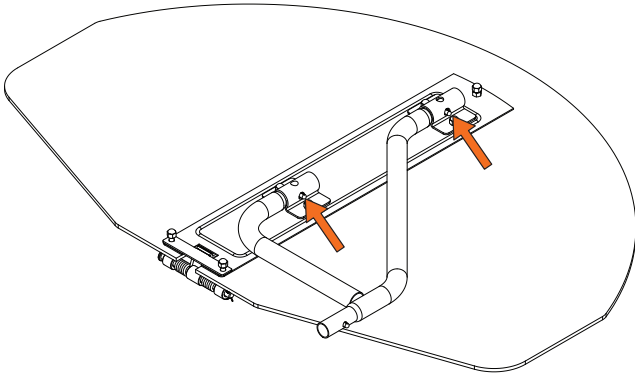
You have attached the Basketball Set to your Quest.

# ASSEMBLY INSTRUCTIONS

## 360 PRO MAX SERIES

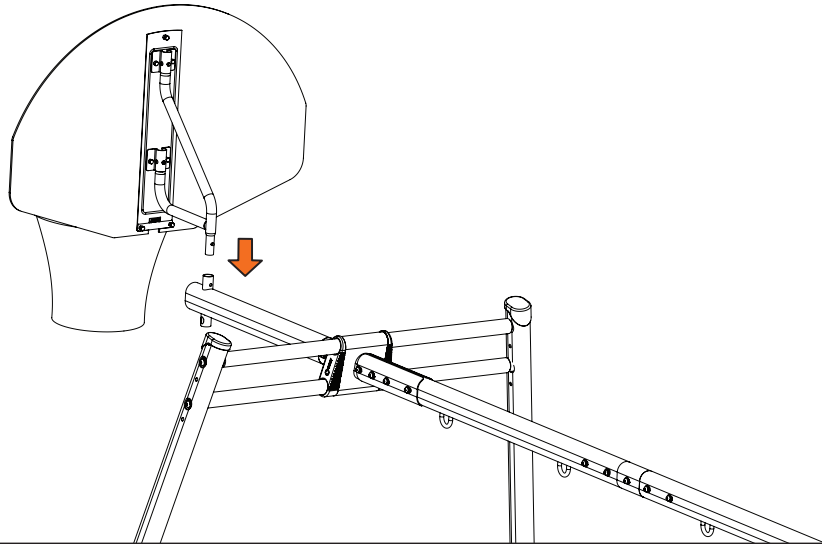


4

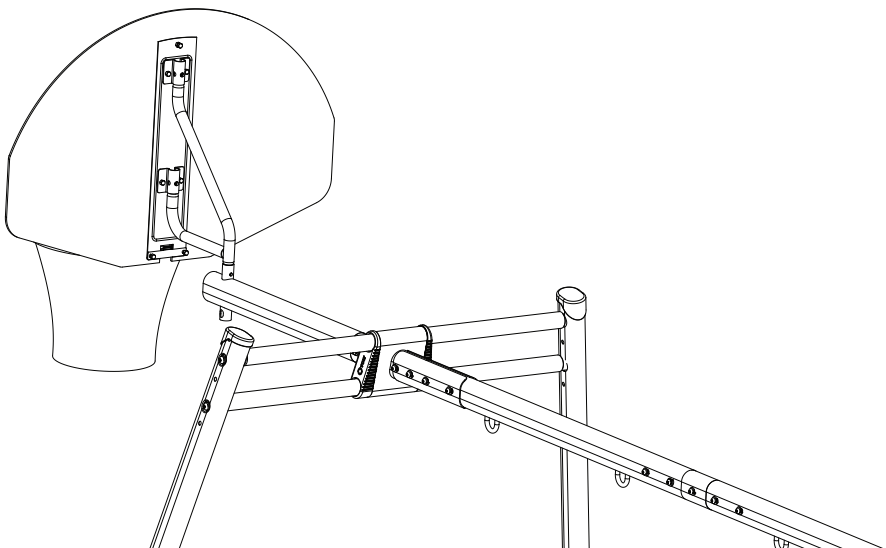


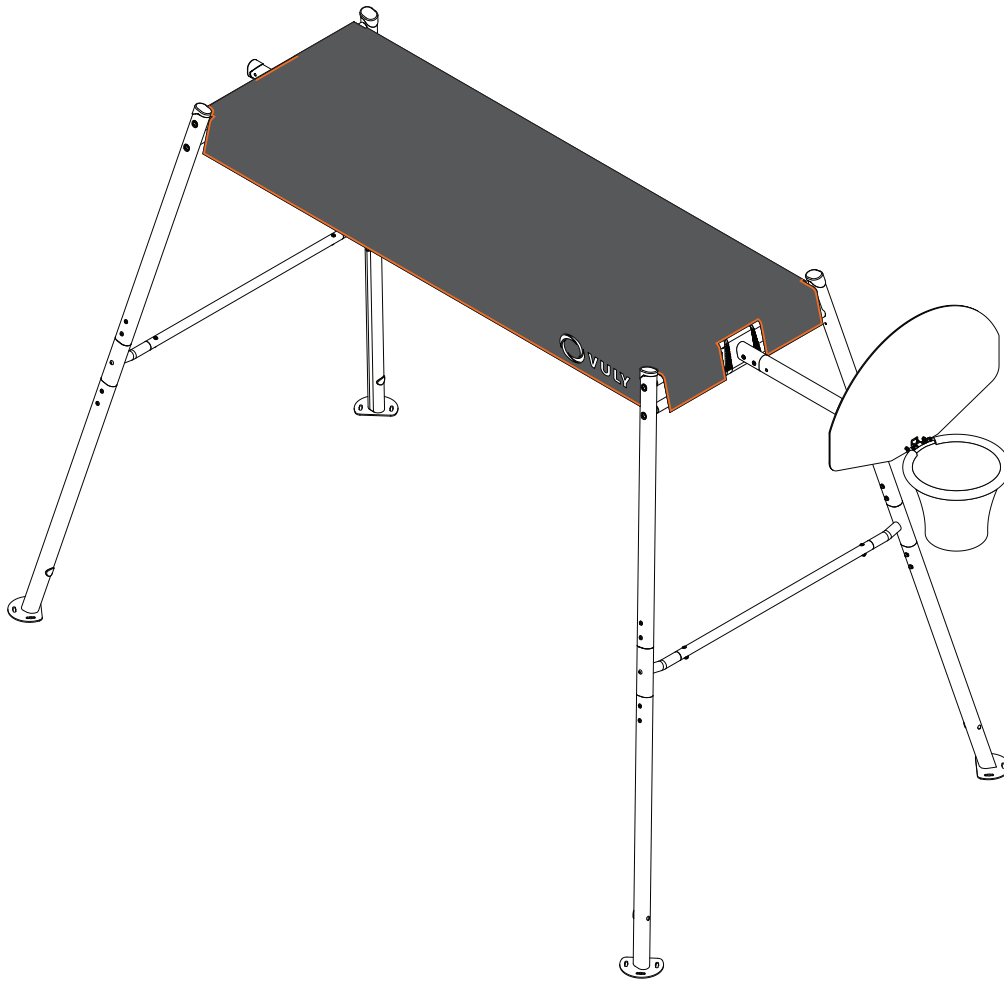
Click the frame on the backboard into position.

5



6





---

# CONGRATULATIONS!

You have attached the Basketball Set to your 360 Pro Max.

---