



---

# TRAMPOLINE LADDER

---

## MANUAL



Visit [www.vulyplay.us/install](http://www.vulyplay.us/install)  
for step by step video instructions, or scan this QR code

If you have any feedback regarding our instructions, feel free to  
email [instructions@vulyplay.com](mailto:instructions@vulyplay.com) so that we can continue to improve.

# DISCLAIMER

The following Conditions of Sale will apply to, and bind the purchaser of, any Vuly USA Operations Corp (3666901) product.

## NOTICE TO USER:

Please read this agreement carefully before purchase or assembly. By purchasing, opening and assembling this product you acknowledge that you have read this agreement, understand it and agree to be bound by its conditions. If you are making a purchase on behalf of another person, you agree that you are making the purchase as their agent.

## LEGAL RIGHTS – PLEASE READ:

EXCLUSION OF LIABILITY – WAIVER OF RIGHT TO SUE – YOUR ASSUMPTION OF RISK – THESE CONDITIONS AFFECT YOUR LEGAL RIGHTS.

Vuly USA Operations Corp. (3666901) (“Vuly”), as supplier of trampolines and accessories (“Products”), sells all Products subject to the following conditions:

1. To the maximum extent permitted by the law, Vuly, its employees, directors and agents will not be liable to the customer, their dependents or legal representatives for damage to property, personal injury or death suffered by the customer because the Product was not manufactured or supplied with due care and skill, the Product is not reasonably fit for its purpose or because of negligence, breach of contract, breach of statute or breach of statutory duty by Vuly.
2. Vuly, its employees, directors and agents are not liable to the customer, their dependents or legal representatives for personal injury or death suffered by the customer because the Product was not:
  - a. installed in accordance with the Vuly instruction manual. It is the customer’s responsibility to check all boxes to confirm that all components are included and in the correct condition before assembly.
  - b. installed with due care and skill, by a the customer or a third party assembly service; and
  - c. in the same condition as when the Product was supplied, due to wear and tear – including, but not limited to, weather damage, deterioration of the net, spring stretch, UV deterioration or rust.
3. The customer acknowledges that using the Product can be dangerous, with inherent risks and hazards. As a consequence, personal injury or death may occur. The customer assumes and accepts all such risks, and hereby – to the full extent permitted by law – waives the right of action against, and fully releases Vuly for, loss, damages, personal injury or death in any way caused by, or relating to, the customer’s participation in such activities.

This includes – without limitation – liability for any negligent or tortuous acts or omission, breach of duty, breach of contract or breach of statutory duty on the part of Vuly, its office bearers, directors, employees or agents.



**ADULT SUPERVISION IS REQUIRED AT ALL TIMES WHILST EQUIPMENT IS IN USE.  
VULY CARES ABOUT SAFETY.**

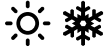



See [VulyPlay.us/Terms](https://www.vulyplay.us/terms) for the most recent Vuly warranty policies, terms and conditions.

## MAINTENANCE AND CARE

Improper use or lack of care can lead to your Ladder deteriorating earlier than expected. Please follow all of these care instructions to ensure that your Ladder lasts for as long as possible.

### WEATHER CARE

 Cover or remove your Ladder when not in use.

 Disassemble your Ladder and store during inclement weather.

### STORAGE

Store in a cool, dry place in the original packaging.

---

## SAFE USE

Save these instructions in case you need to contact Vuly for replacement parts.

## WARNING

- Assemble the system in accordance with these instructions only.
- Ensure that all push buttons securely lock.
- Ensure that the system is properly and completely assembled before use. There is a much higher probability of injury if the system is not assembled or maintained correctly.

## IMPORTANT NOTES

### Metal Rust and Corrosion

- Be aware of areas that are particularly prone to rusting:
  - Places where water is easily trapped.
  - Hollow sections of steel (which can appear in good condition on the outside, while hiding rust on the inside).
  - Weld lines.
  - Sections where different metal components join together.
- Inspect the inside of the tubing every 6 months, and remove any water. Check tube and pole connection areas for rust.
- Use general purpose grease on steel connection areas to reduce the chance of corrosion.
- Avoid excessively cleaning steel components; it may reduce the effectiveness of our protective coatings.

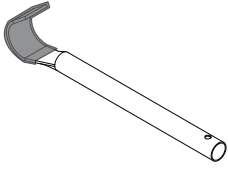
*Remember: Failure to follow these safety instructions may result in injury or property damage, and will also void your warranty.*

## SAFETY WARNINGS FOR USE

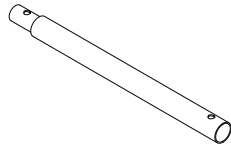
- Check and repair any loose components before each use.
- Check for any rusting before each use. Remove it, and repaint with exterior enamel. If the rusting has penetrated any steel component, replace the ladder immediately.
- Refrain from playing on damaged equipment at all times.
- Ensure only 1 user at any time.
- Exercise caution when playing with the system.
- Do not dive or jump from the ladder.
- Do not use the system in severe weather.
- Maintain proper use and supervision to reduce the risk of accident or injury.
- Remove after each use to prevent small children from accessing the trampoline unsupervised.

The owner must ensure that all players know and follow these rules to safely operate the Ladder.

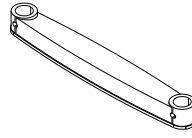
# Part List



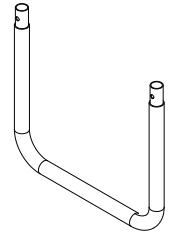
X2



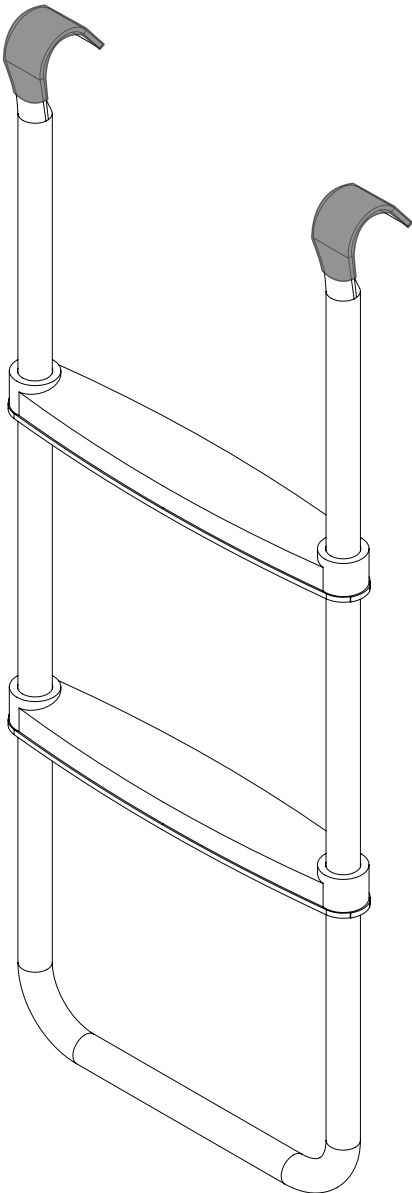
X2



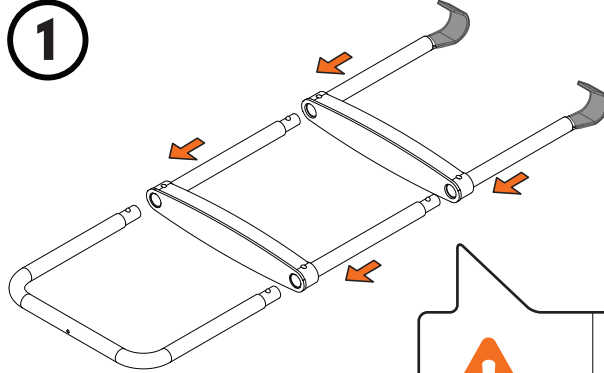
X2



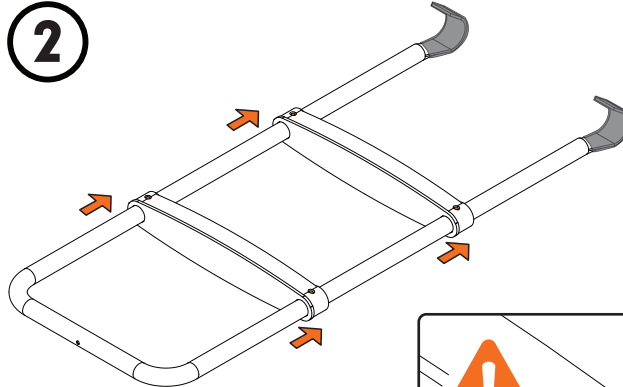
X1



1



2



# CONGRATULATIONS!

You have attached the Ladder to your Trampoline.