

Note: This is not a standalone instruction guide. You will require the Swing Set Manual and Cubby House Manual to complete your Vuly Max.

ENSURE THAT AS YOU FOLLOW THESE INSTRUCTIONS, YOU FIRMLY SECURE ALL PARTS WITH NUTS AND BOLTS.

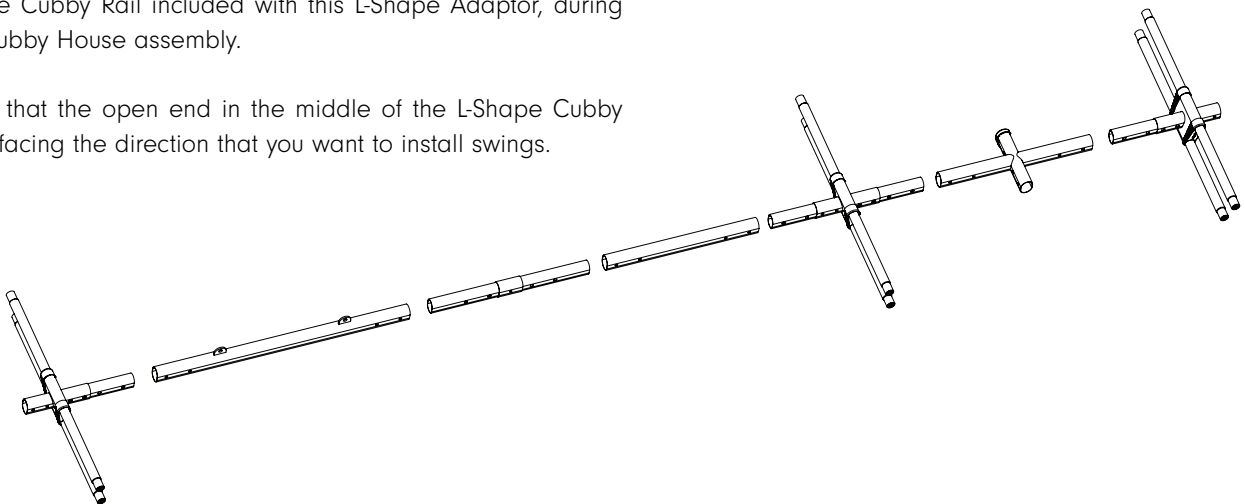
Important: When locking together Frame Bolts, ensure that you insert the long bolts alternately on either side.

Ensure that you are assembling the product upside down (with the lugs on the swing rails facing upwards).

STEP | 1

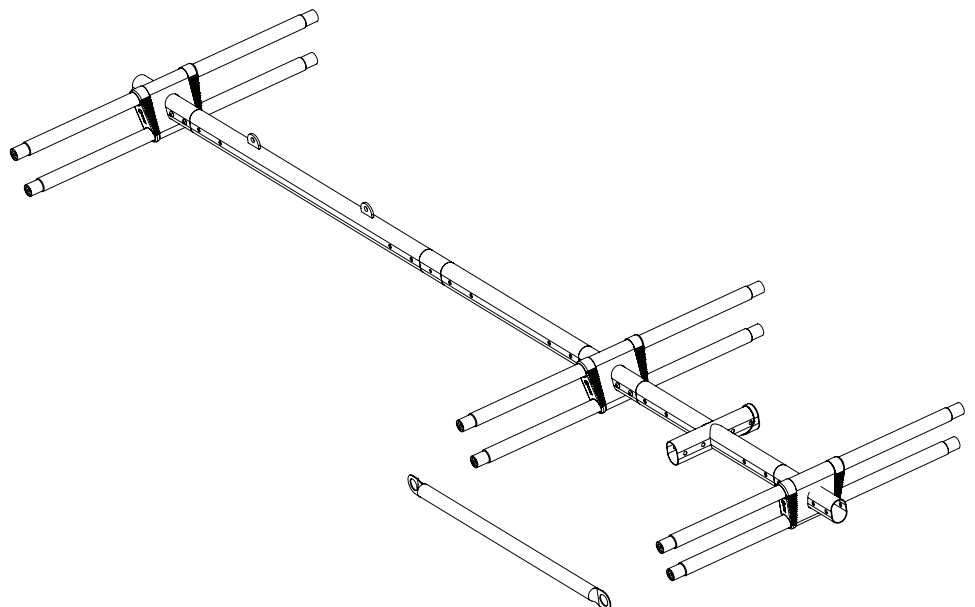
Replace the Cubby Rail included with your Cubby House with the L-Shape Cubby Rail included with this L-Shape Adaptor, during your Cubby House assembly.

Ensure that the open end in the middle of the L-Shape Cubby Rail is facing the direction that you want to install swings.



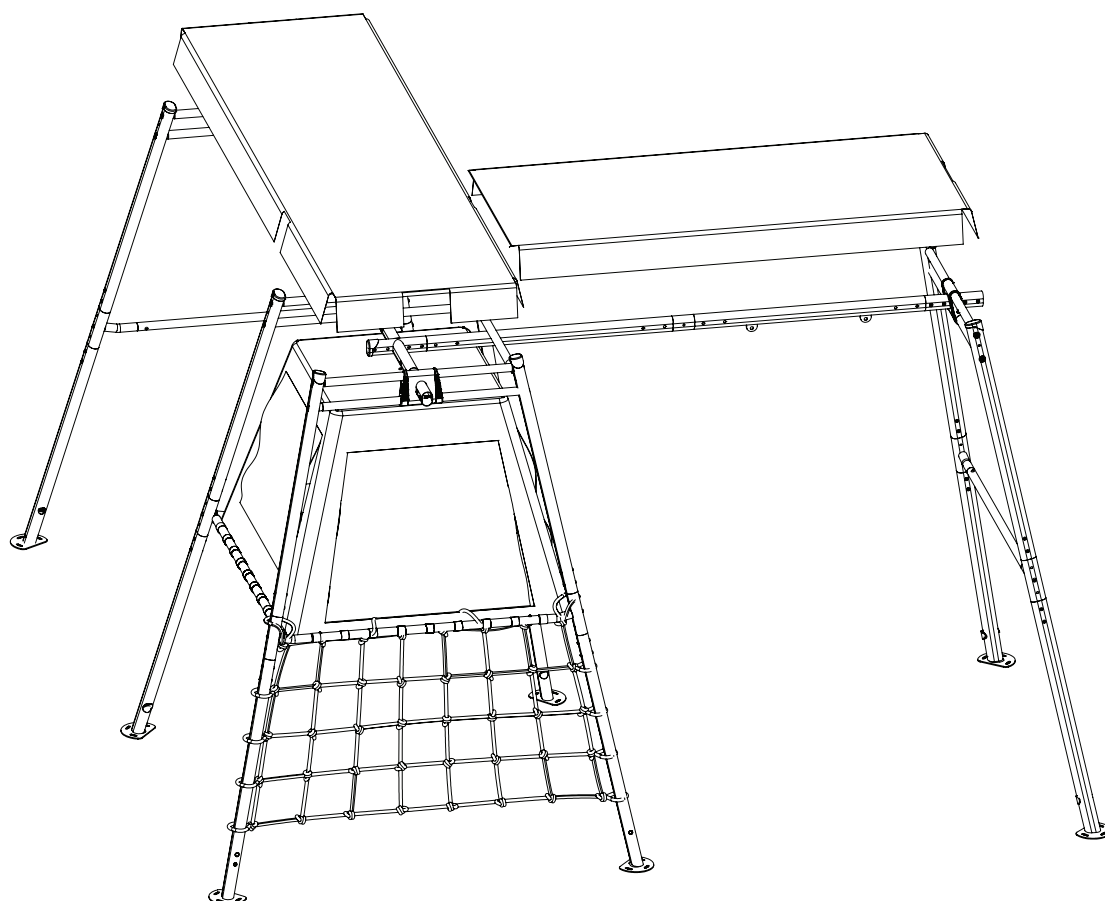
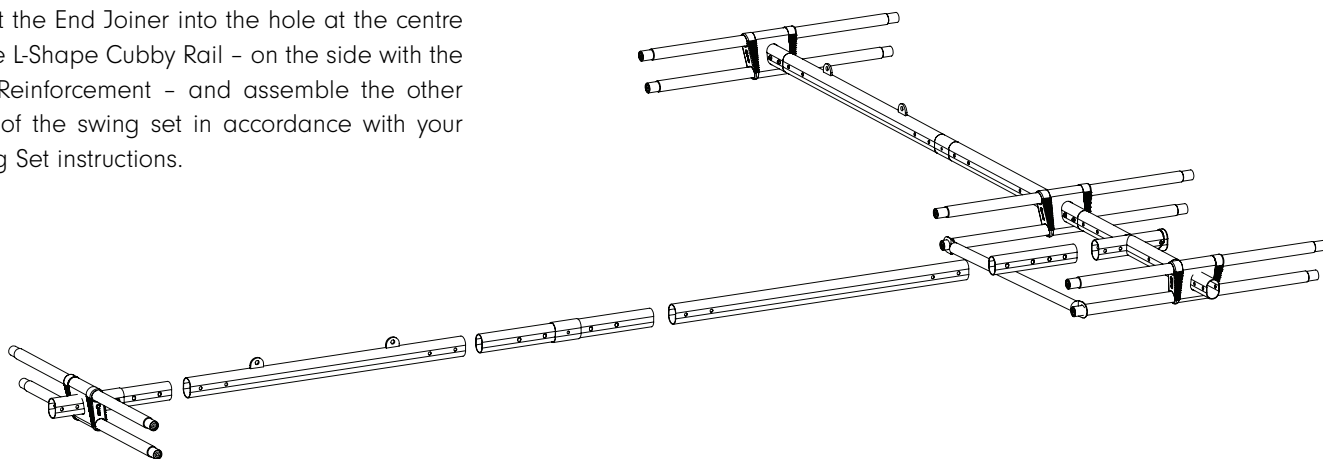
STEP | 2

Attach the Rail Reinforcement onto the upper prongs of two H Joiners.



STEP | 3

Insert the End Joiner into the hole at the centre of the L-Shape Cubby Rail - on the side with the Rail Reinforcement - and assemble the other side of the swing set in accordance with your Swing Set instructions.



CONGRATULATIONS!

You have assembled the L-Shape Adaptor for Vuly Max.
