



VULY DEN HANDRAIL EXTENSION KIT

MANUAL

ATTENTION!

SAFETY INFORMATION, INSTALLATION AND USAGE INSTRUCTIONS.
READ PRIOR TO INSTALLING AND USAGE.

See [VulyPlay.com/support](https://www.vulyplay.com/support) for any updates to these instructions.



ADULT SUPERVISION IS REQUIRED AT ALL TIMES WHILST EQUIPMENT IS IN USE.
VULY CARES ABOUT SAFETY.



WARNING – IMPORTANT SAFETY INFORMATION!:

Observing the following statements and warnings reduces the likelihood of serious or fatal injury::

- Minimum user age - 3 years.
- Maximum number of occupants - 1.
- Maximum weight for sleeping level: 120 kg
- 2 adults recommended for assembly.
- Ensure that the bed and climbing frame are installed according to instructions before use.
- Parental supervision at all times when using climbing frame



WARNING!

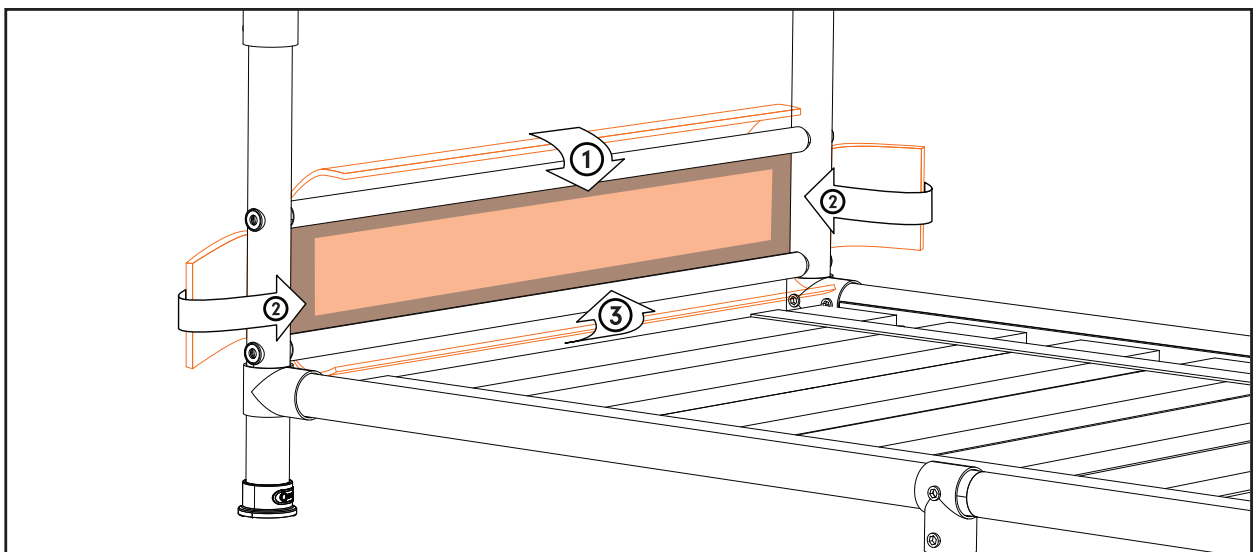
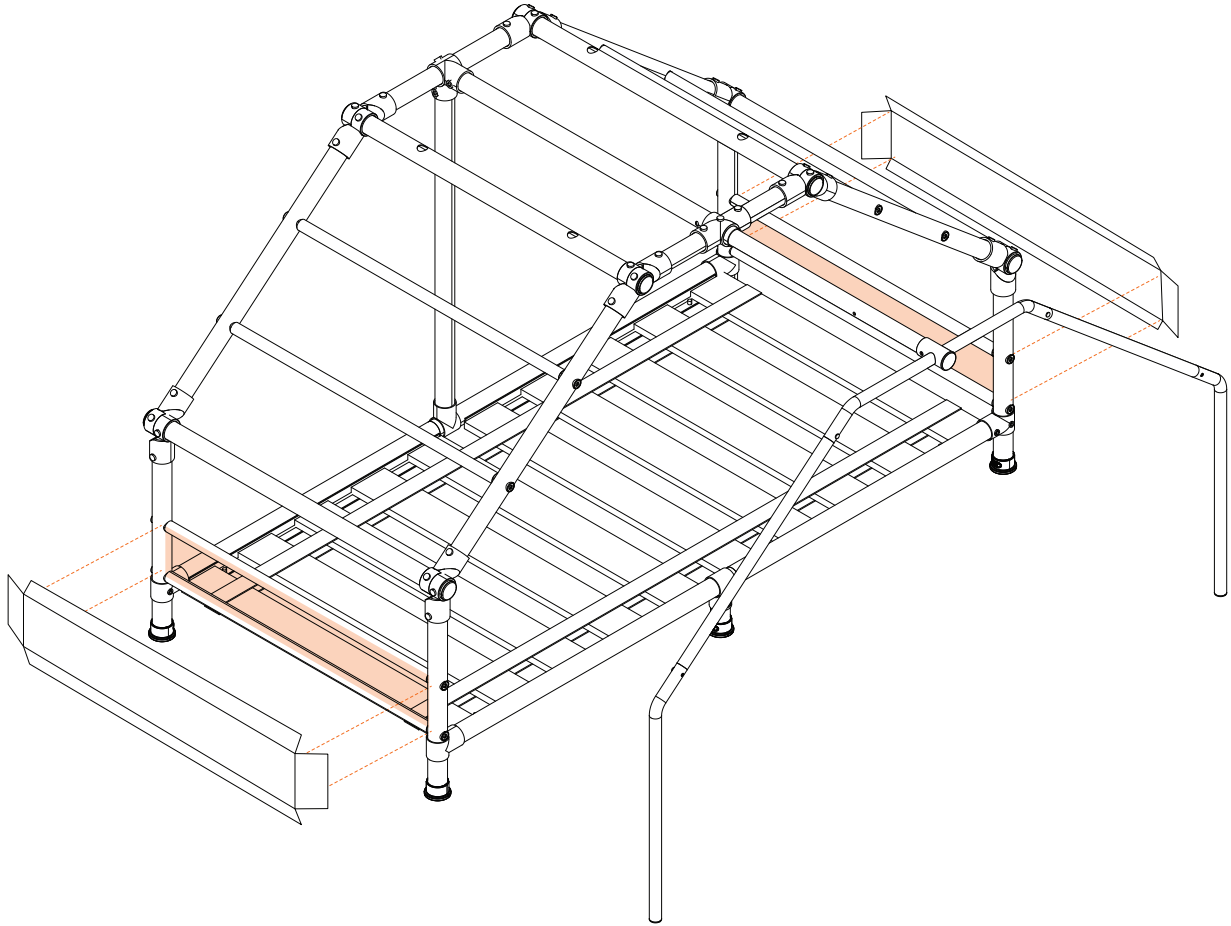
Risk of serious or fatal injury if product is used incorrectly.

- Do not allow jumping on the mattress inside the Den. Could lead to head injury. **WARNING!** Do not allow climbing or hanging from the telescopic poles. This may reduce the strength of the pole.
- Do not allow any ropes, hooks or belts to be hung from Den as they may cause a strangulation hazard.
- Do not place the Den directly under or near a ceiling fan as it may cause head injury.
- Do not jump from the climbing platform. This can cause serious injury.
- Do not step or play on fabric canopy as it may lead to injury.
- Do not extend, collapse or manipulate product while in use.



PART 3: ADDITIONAL DEN FABRIC ATTACHMENT

- Place additional den fabric over frame and align as shown below.



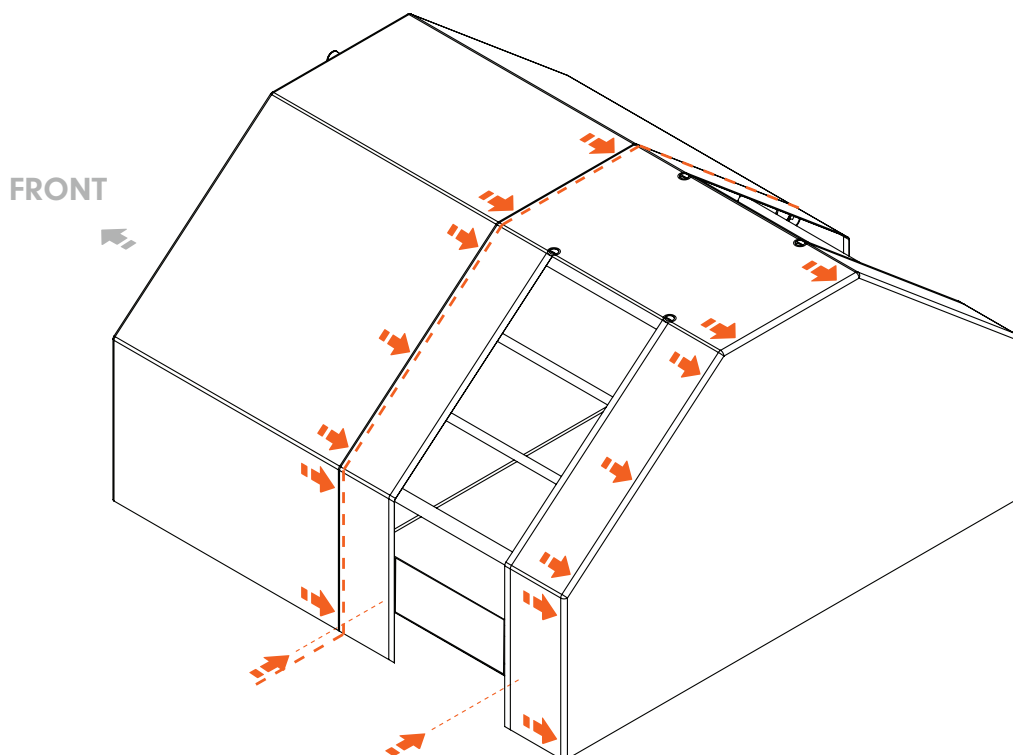
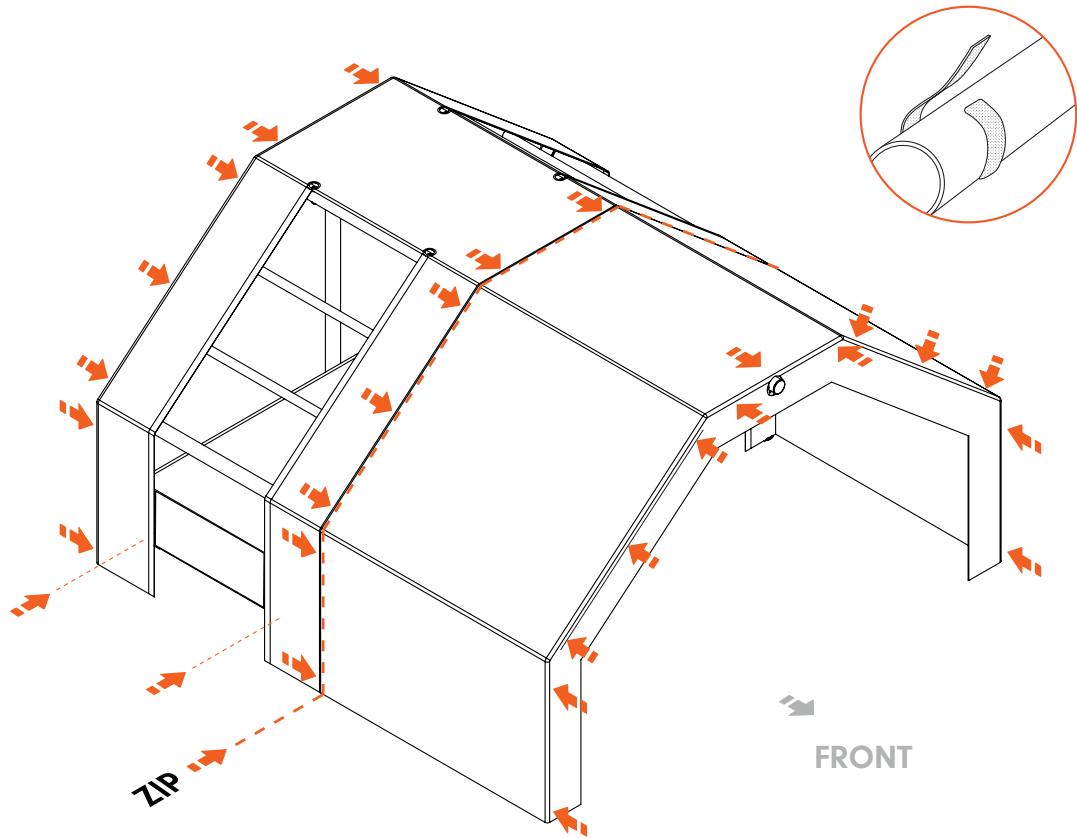
For existing customer, you may have to undo the velcro at the bottom of the den fabric to install the additional fabric.

DEN FABRIC ATTACHMENT

- Place den fabric (D4) over frame and align as shown below.

➡ Secure using hook and loop straps

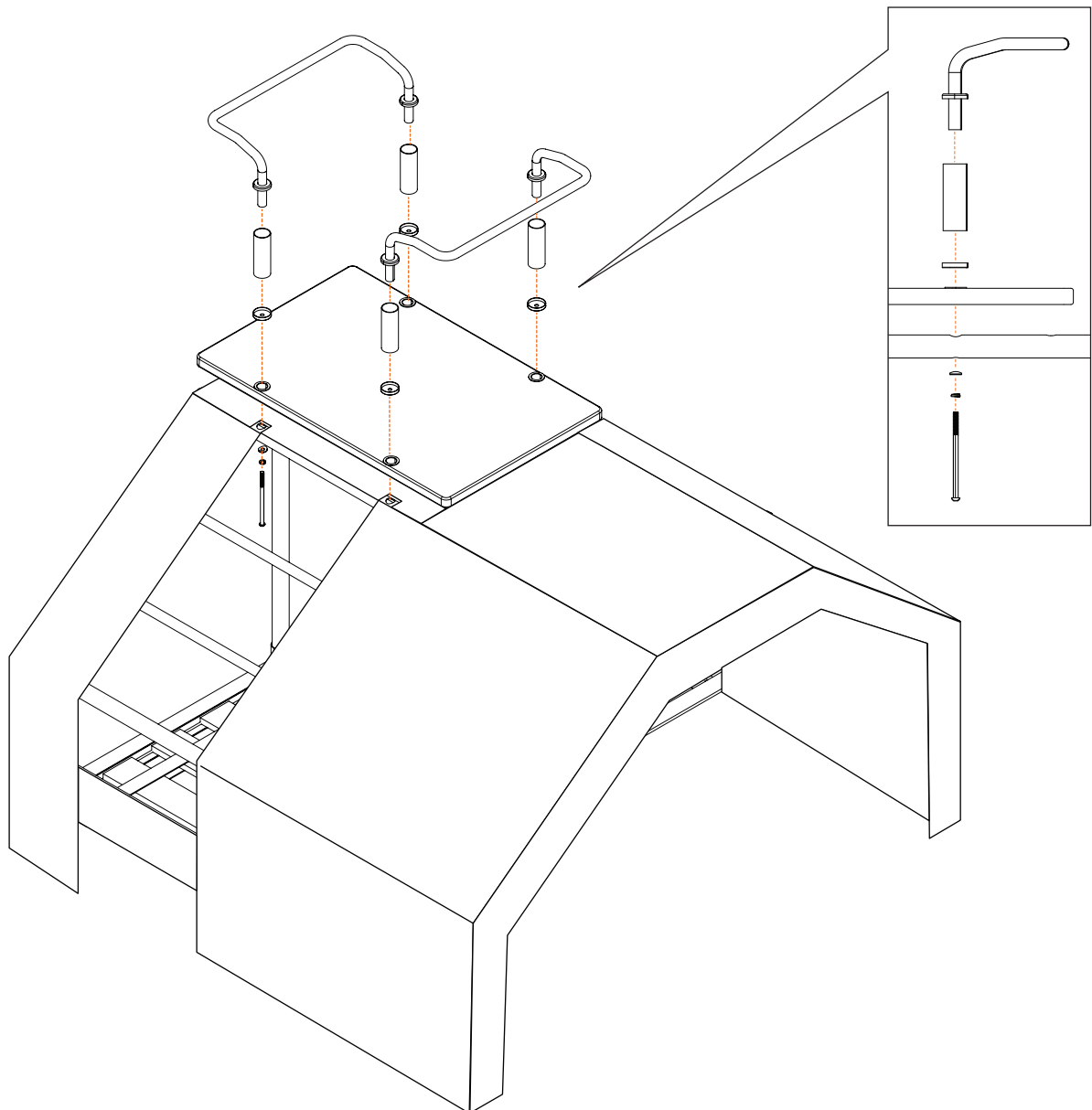
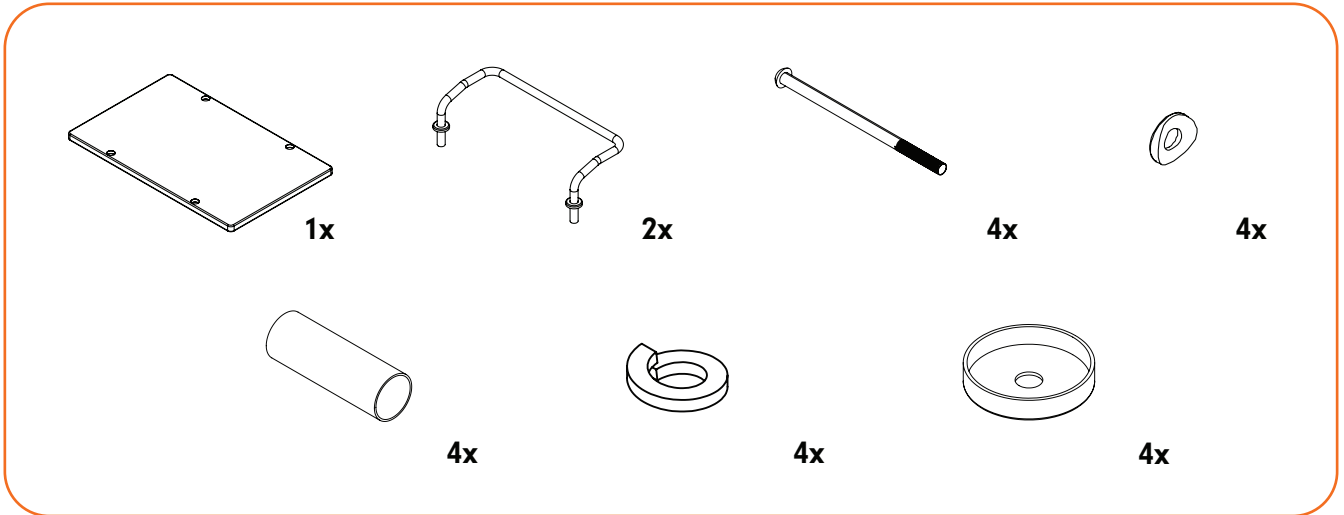
ZIP Attach front fabric to rear fabric using zip



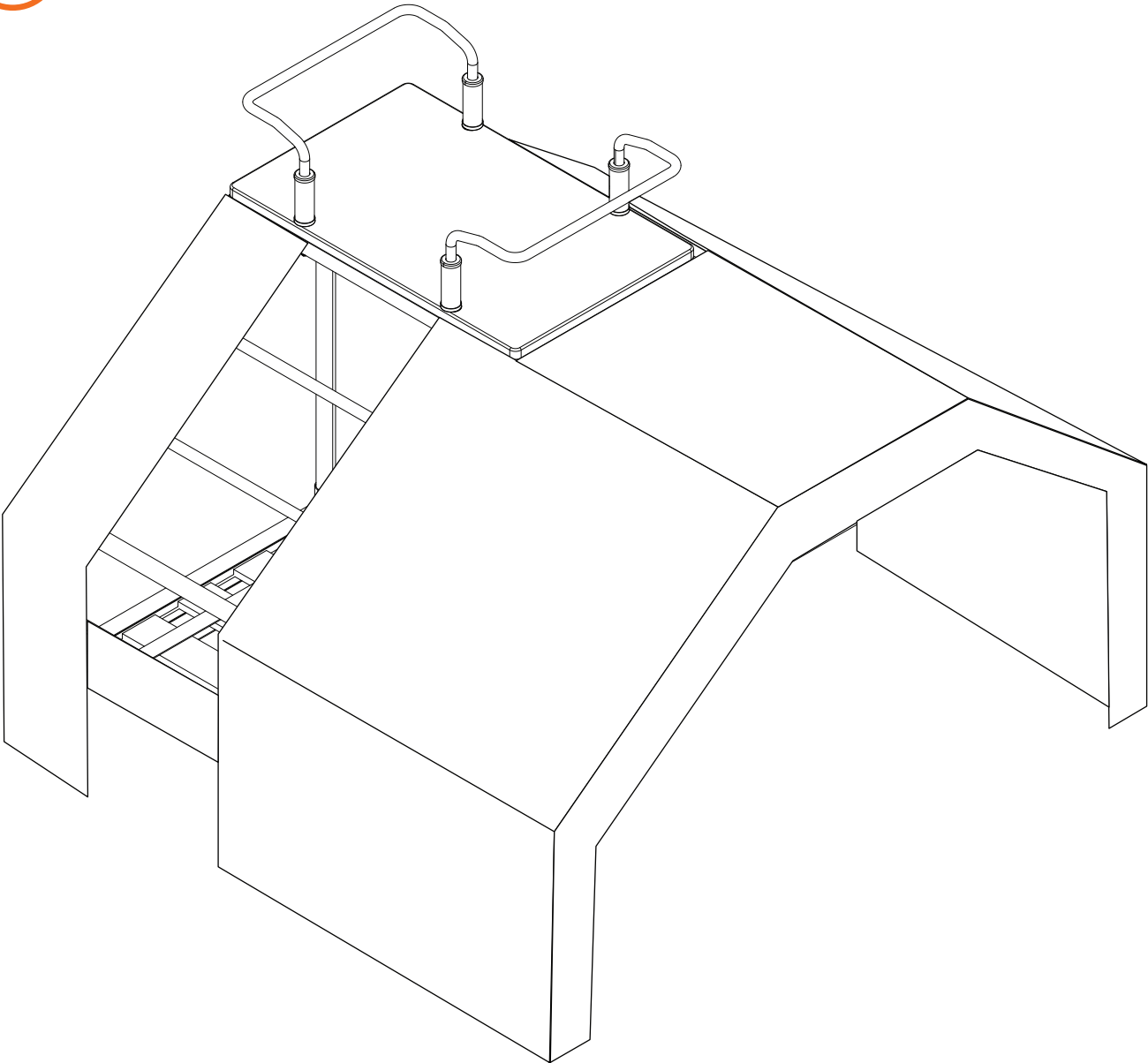
STEP 32: EXTENSION TUBE ASSEMBLY

- Place play board (D2) on top of climbing frame.
- Locate holes and insert plastic rail guards and safety rails. Secure using locking bolts.

 For existing customers, undo locking bolts and reinstall with extension tubes according to this instruction.



STEP 33: ASSEMBLY COMPLETE



STEP 34 ➔