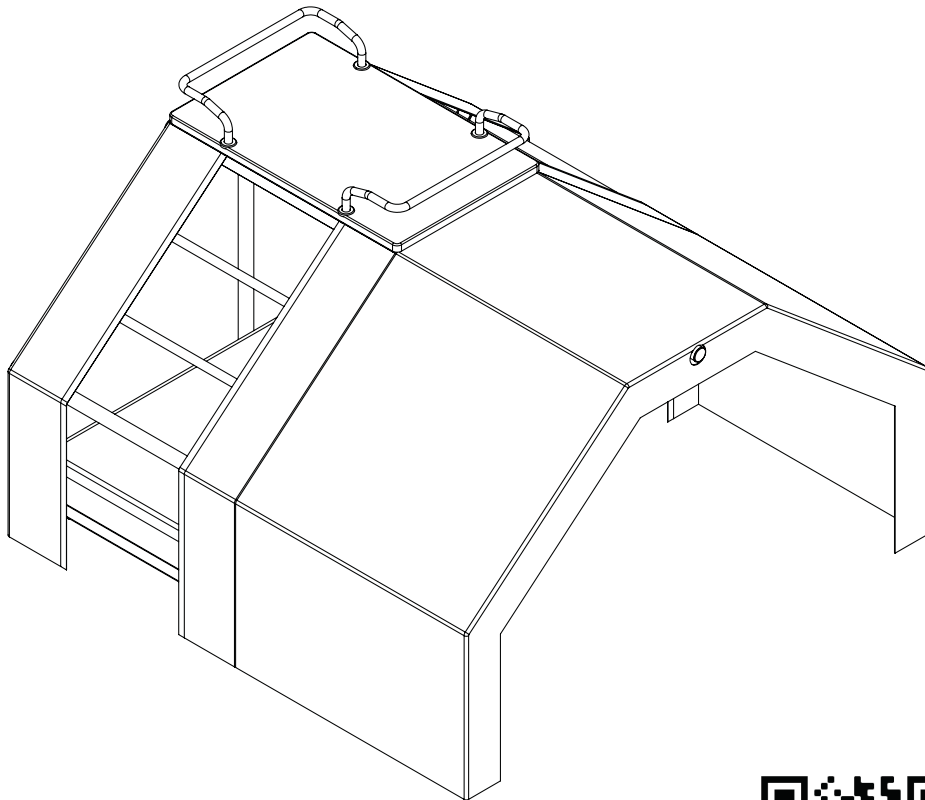


 **VULY** | Den



MANUAL

Visit [VulyPlay.com/Installation](https://www.vulyplay.com/installation)
for video instructions



ATTENTION!

Safety Information, Installation and usage instructions.
Read prior to installing and usage.

See **VulyPlay.com/support** for any updates to these instructions.

WARNING – IMPORTANT SAFETY INFORMATION!

Observing the following statements and warnings reduces the likelihood of serious or fatal injury:

- Minimum user age - 3 years.
- Maximum number of occupants - 1.
- Maximum weight for sleeping level: 120 kg
- 2 adults recommended for assembly.
- Ensure that the bed and climbing frame are installed according to instructions before use.

WARNING! Parental supervision at all times when using climbing frame

WARNING! Do not allow jumping on the mattress inside the Den. Could lead to head injury.

WARNING! Do not allow climbing or hanging from the telescopic poles. This may reduce the strength of the pole.

WARNING! Do not allow any ropes, hooks or belts to be hung from Den as they may cause a strangulation hazard.

WARNING! Instruct children not to use the equipment in a manner other than intended

WARNING! Do not place the Den directly under or near a ceiling fan as it may cause head injury.

WARNING! Instruct Children to not jump from the climbing platform. This can cause serious injury.

WARNING! Do not step or play on fabric canopy as it may lead to injury.

WARNING! Do not extend, collapse or manipulate product while in use.

YOU WILL NEED FOR ASSEMBLY!

- 8mm allen key
- 6mm allen key
- 5mm allen key
- Tape measure or ruler

Vuly Play

95 Ingleston Rd, Brisbane QLD 4154

AU: 1300 667 514

US: 1-800-467-1421

www.vulyplay.com

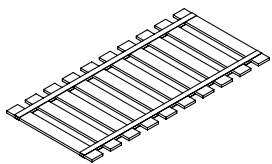
Improper maintenance or lack of care can lead to your product deteriorating earlier than expected and causing injury. Please follow these instructions to ensure that your product lasts for as long as possible.

General care

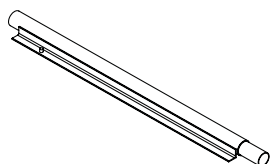
- Retain this Manual.
- Inspect before use and check product weekly for loose components or defects.
- Before use, check climbing assembly is secure and fastened adequately.
- Replace any worn, deteriorated, defective or missing parts immediately and only through Vuly.
- Tighten all hardware, including elements that secure to the product.
- Keep away objects that could damage textile components.
- Use only parts and accessories recommended by Vuly
- Hand wash textiles using cold water and hang to dry.
- Use two people to extend and collapse canopy feature.
- Clean dirty surfaces with warm soapy water and wipe dry.

REMOVE ALL PARTS FROM CARTONS AND LAY FLAT ON GROUND

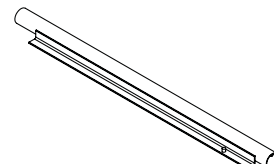
BOX A



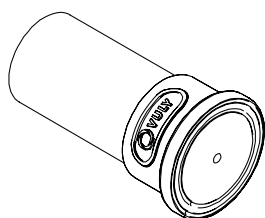
A1 1x Bed Slat Set



A2 2 x Bed Frame Tube A (Swaged)



A3 2 x Bed Frame Tube B



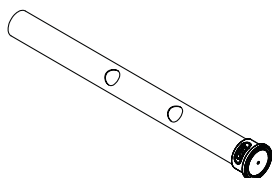
A4 1 x Frame Support Tube - Short

BOX B

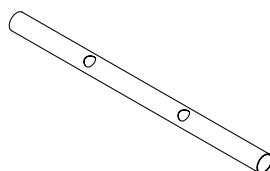


B1 16 x Angle Joiner

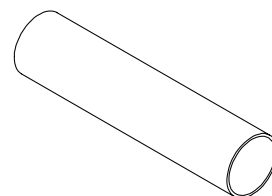
BOX C



C1 4x Den Leg Tube (with foot)

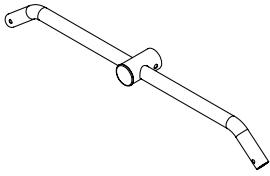


C2 4x Den Climbing Frame Tube

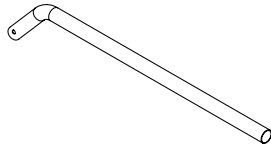


C3 2x Top Tube - Short

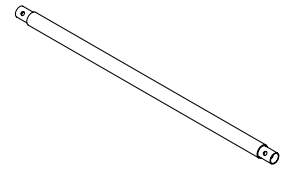
BOX C



C4 1x Front Top Tube

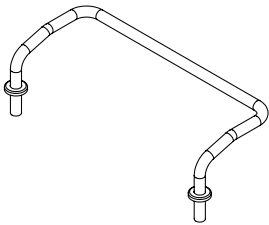


C5 2 x Den Front Leg Tube

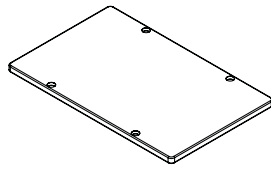


C6 2x Den Front Straight Tube

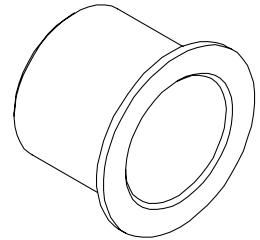
BOX D



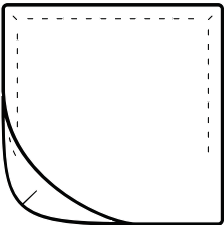
D1 2x Den Guard Rail



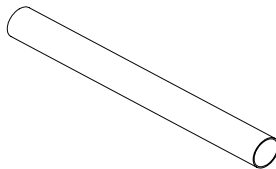
D2 1x Den Play Board



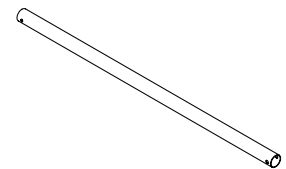
D3 4x Plastic Board Sleeve



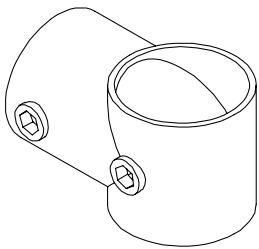
D4 1x Den Canvas



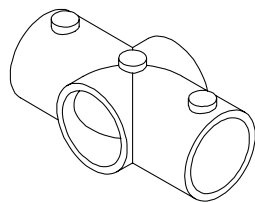
D5 1x Den Top Tube - Long



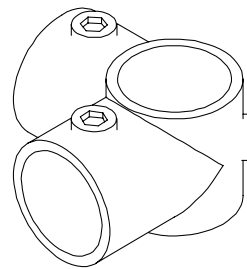
D6 1x Den Telescopic Inner Tube



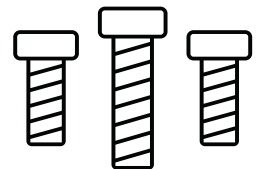
D7 6x T-Joiner



D8 1x Cross Joiner



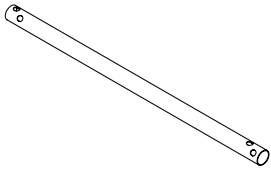
D9 1x 4-Way Joiner



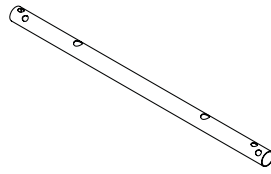
D10 1x Hardware Kit

Allen keys
20x Locking bolts,
Spring washers & Washers
4x Cover bolts
1x Telescope bolt

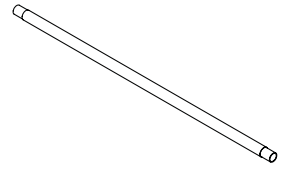
BOX E



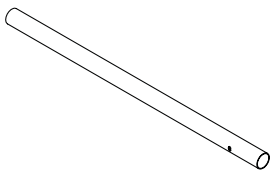
E1 2x Large Climbing Bar Bottom



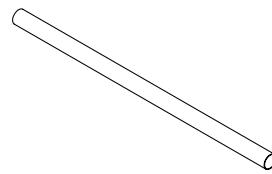
E2 2x Large Climbing Bar Top



E3 8x Den Climbing Bar

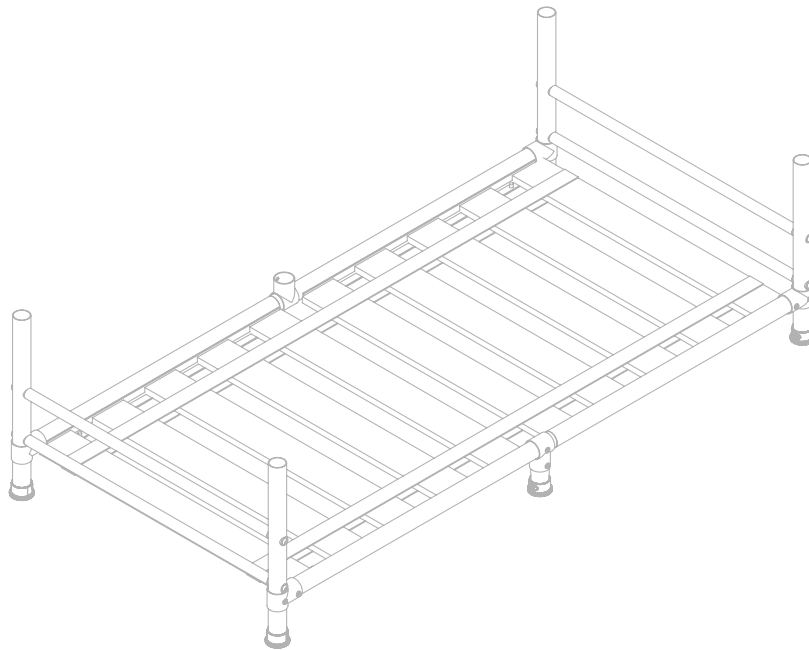


E4 1x Den Telescopic Outer Tube



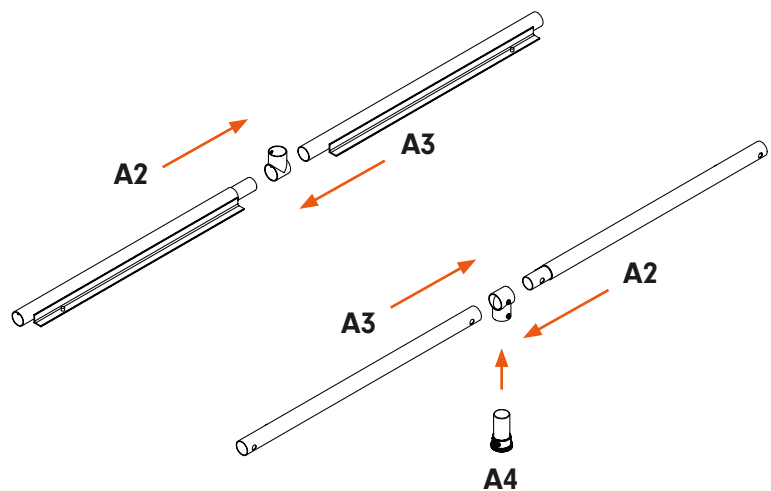
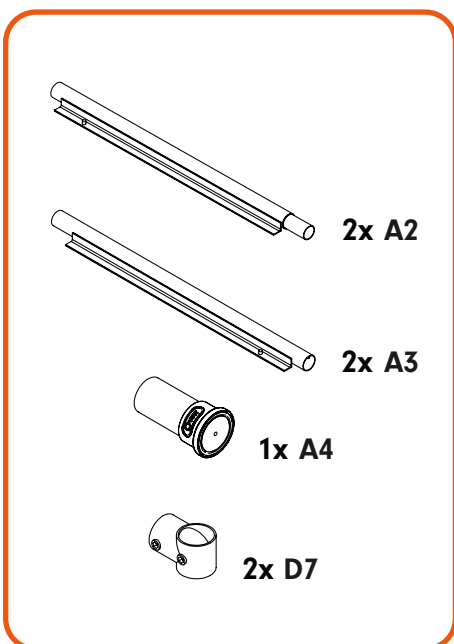
E5 1x Den Frame Support Tube Long

PART 1: BED FRAME



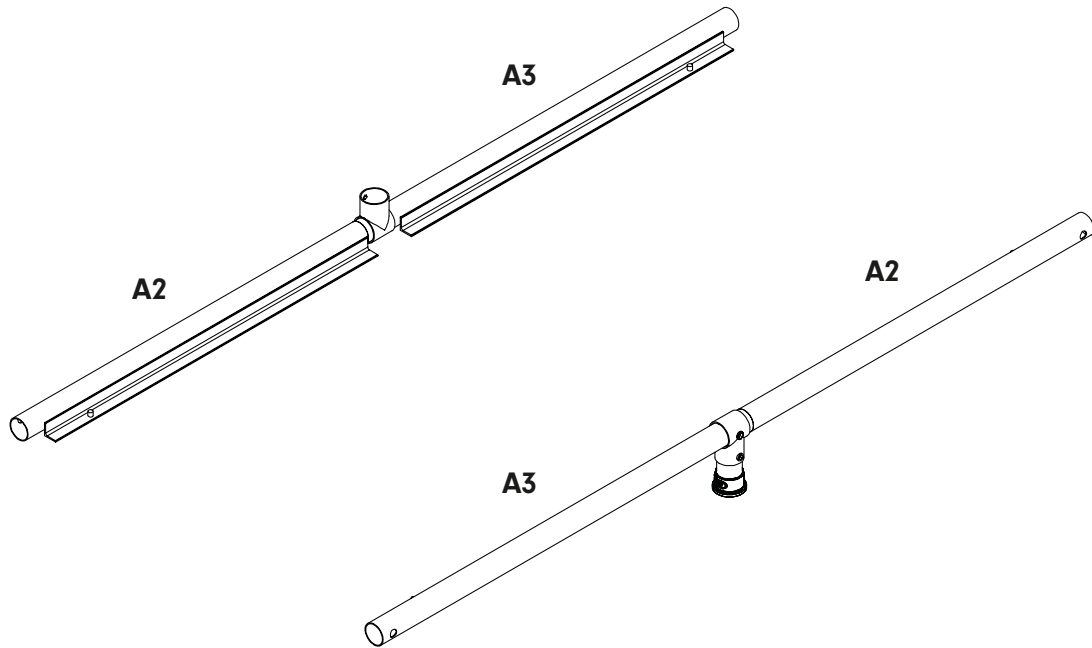
STEP 1

- Join A2 to A3 and secure in place using T-Joiner (D7) grub screw
- Insert A4 all the way into bottom of T-jointer and secure in place using grub screw.



STEP 2

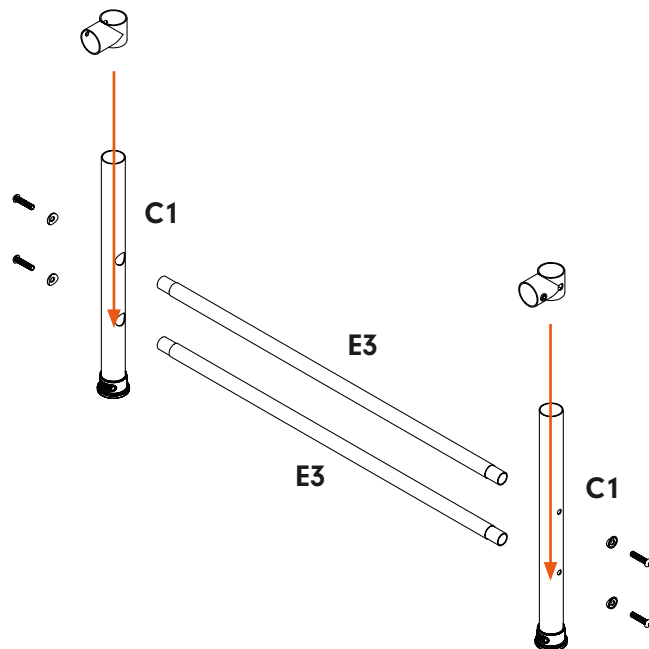
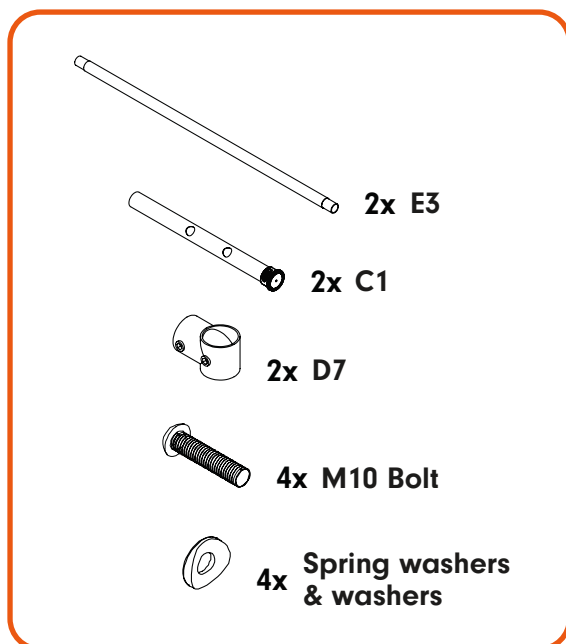
CHECK! Make sure bed rails are assembled as shown below.



STEP 3

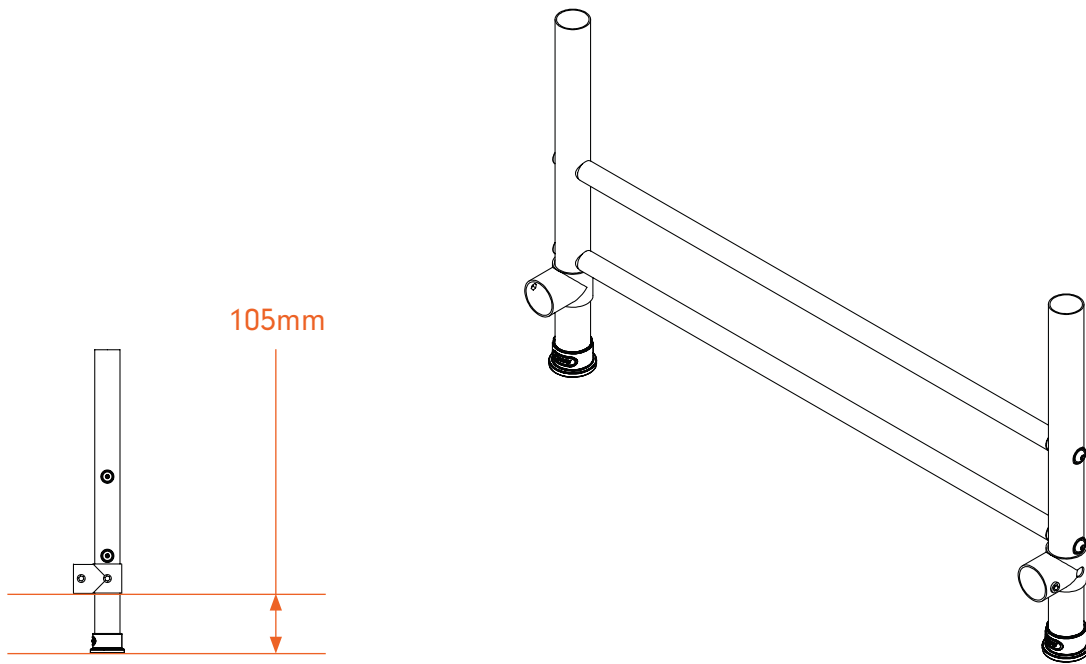
- Slide T-Joiner down C1 until below lower hole and secure on tube.
- Assemble E3 bars into C1 tubes and fasten using M10 bolts, , spring washers and washers
- Repeat the steps for the other end of the bed frame.

2x



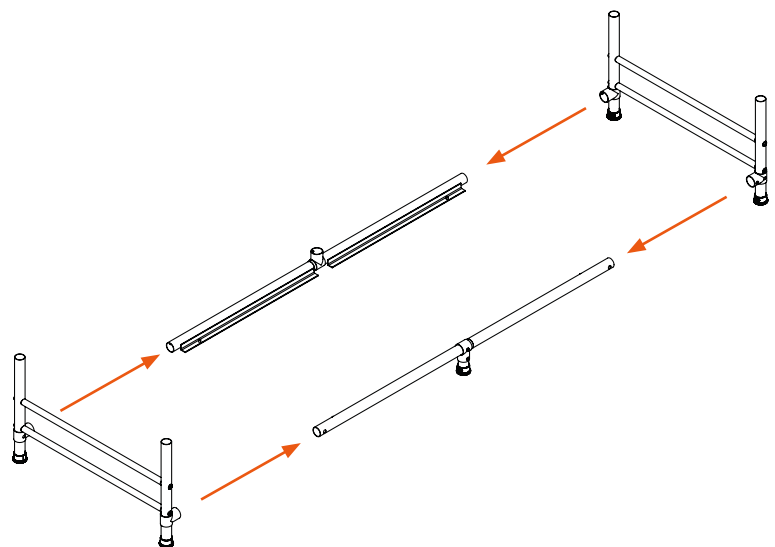
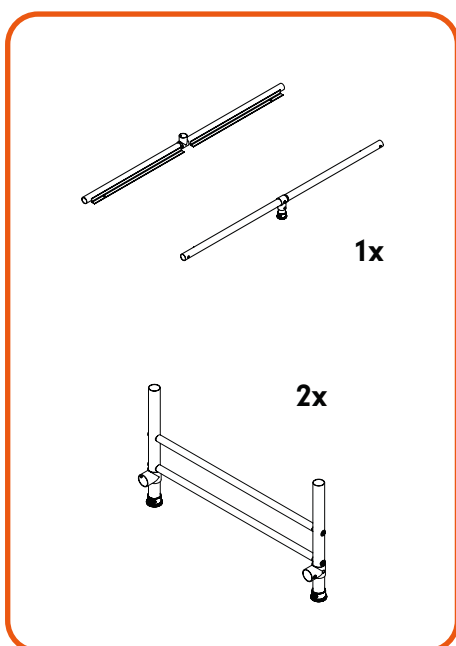
STEP 4

MEASURE! Ensure each T-Joiner is 105mm from floor. The top of the joiners should be nearly touching the bottom of E3 bars.



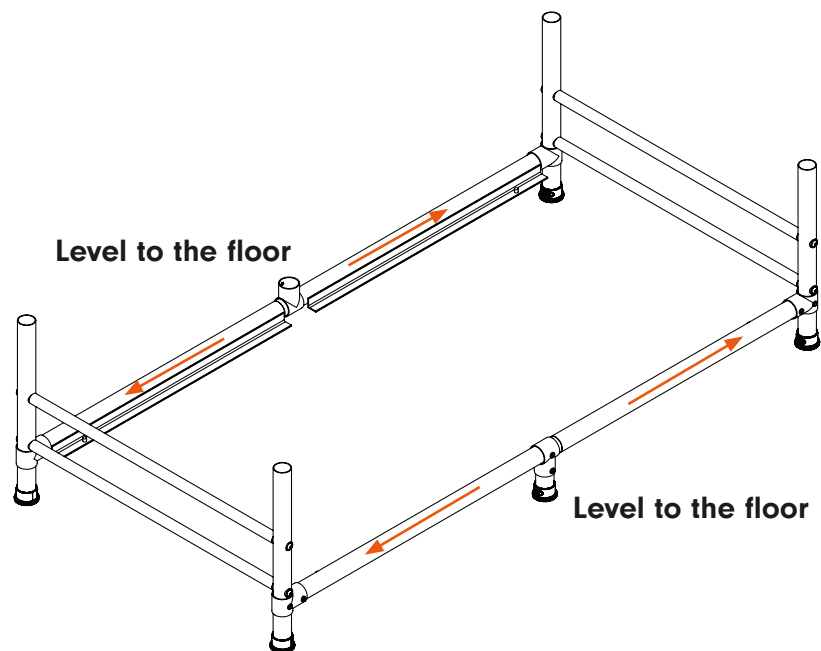
STEP 5

- Join bed ends to frame tubes and secure using grub screws.



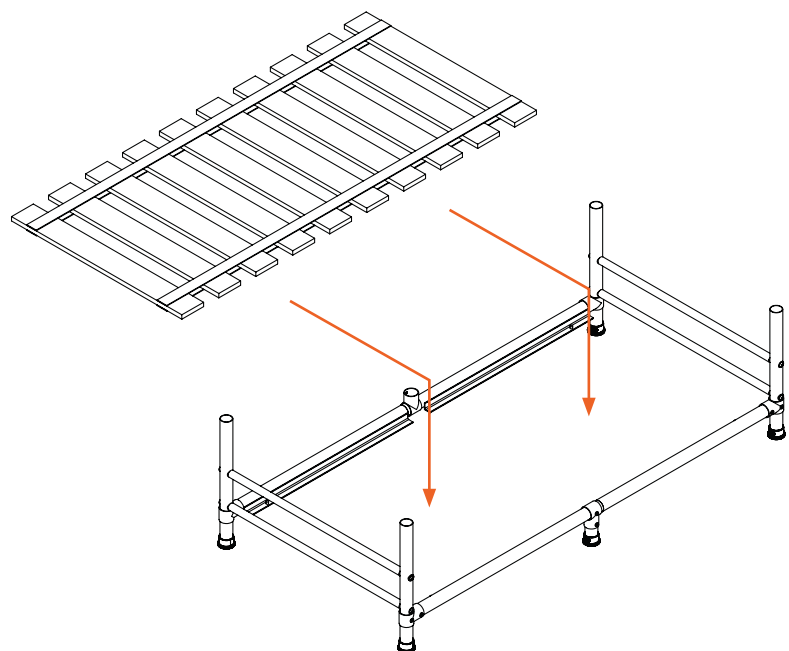
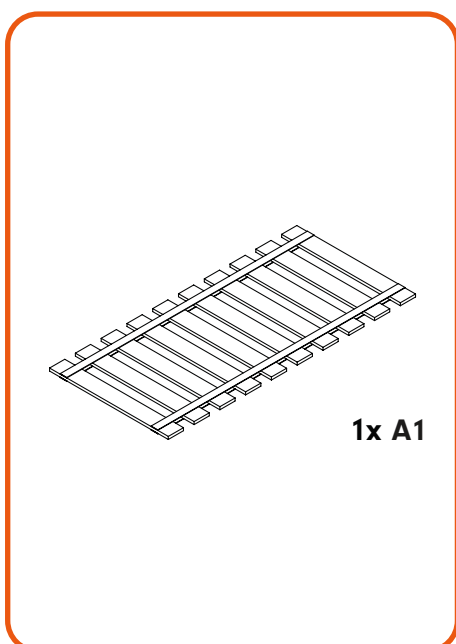
STEP 6

CHECK! Make sure bed frame is assembled as shown. And frame tubes shall be level to the floor.



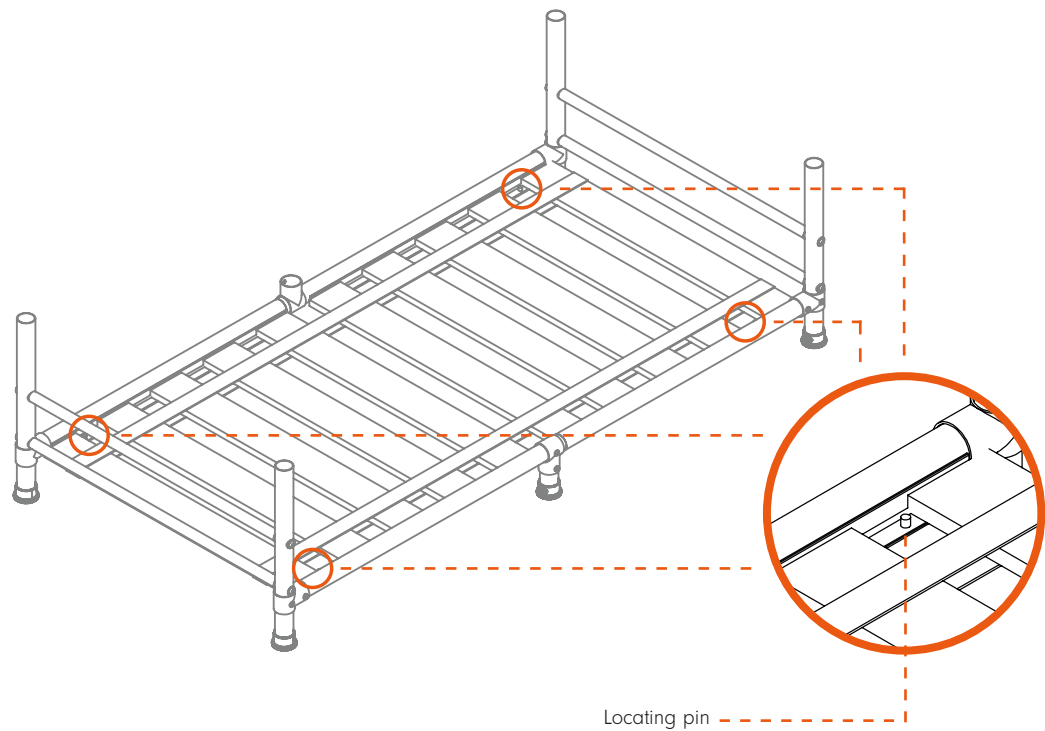
STEP 7

- Take bed slat set (A1) and place into bed frame.

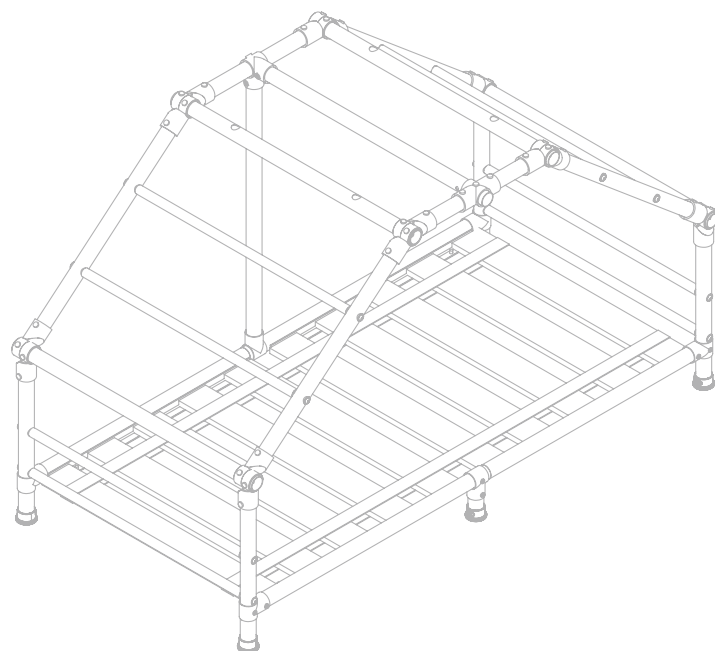


STEP 8

CHECK! Make sure bed slats are secured at each corner over locating pin.

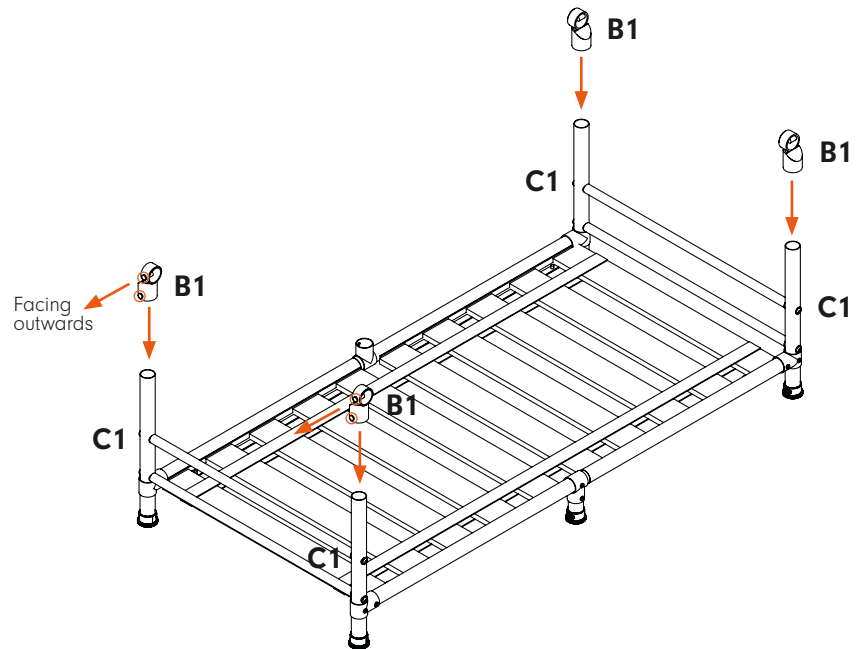
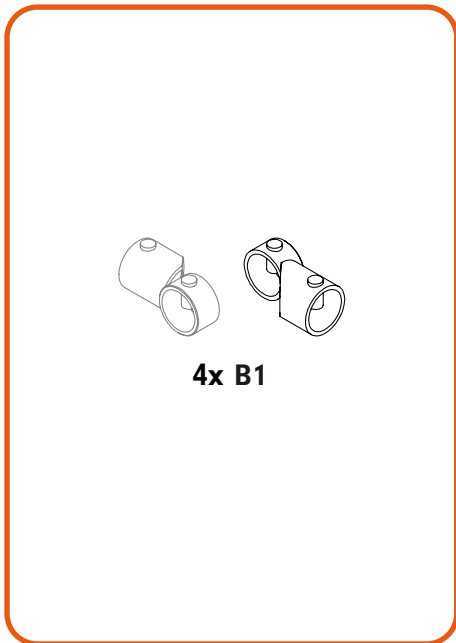


PART 2: CLIMBING FRAME



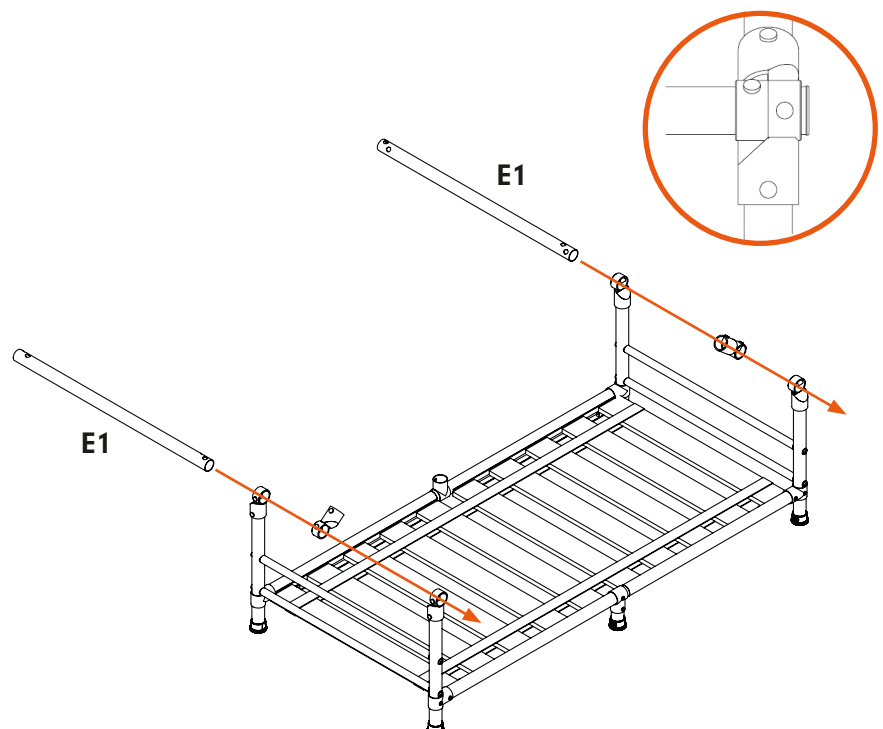
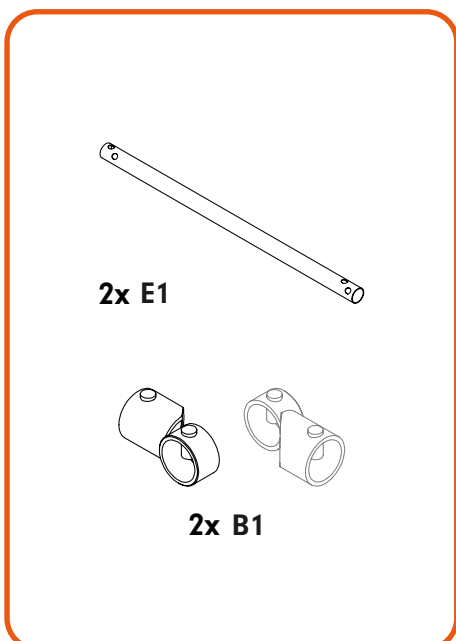
STEP 9

- Attach B1 joiners to C1 poles and make sure the grub screws are facing outwards.
- Do not tighten grub screws yet.
- Make sure two B1 joiners are assembled as shown below.



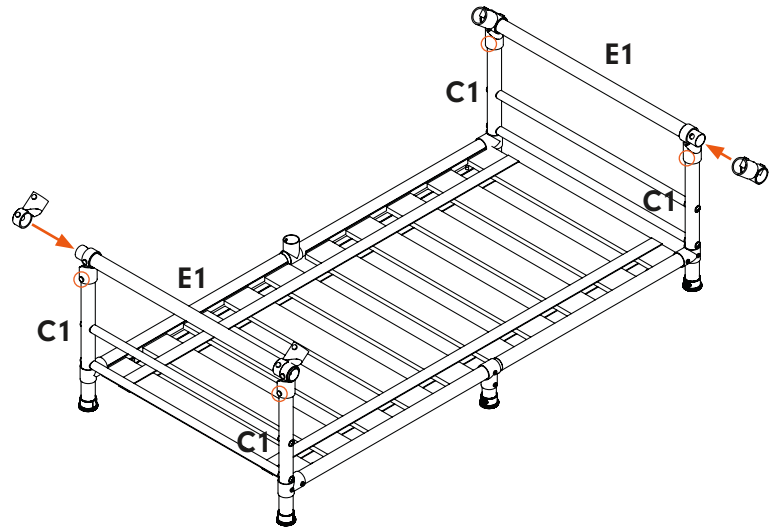
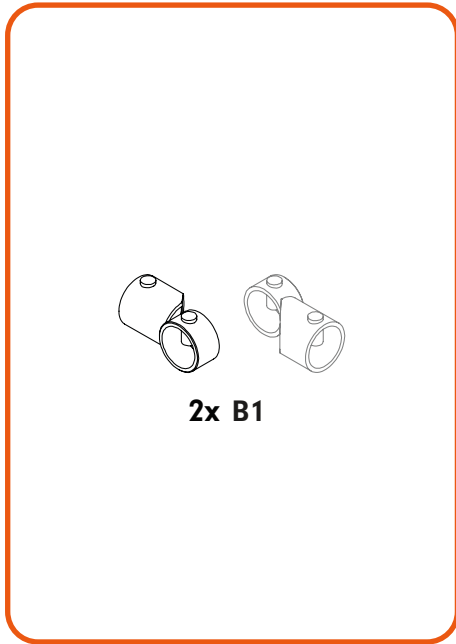
STEP 10

- On both ends, slide E1 pole through joiner and attach B1 joiner to the left side of the assembled B1 joiners in Step 9.
- Do not tighten grub screws yet.
- Make sure two B1 joiners are assembled as shown below.



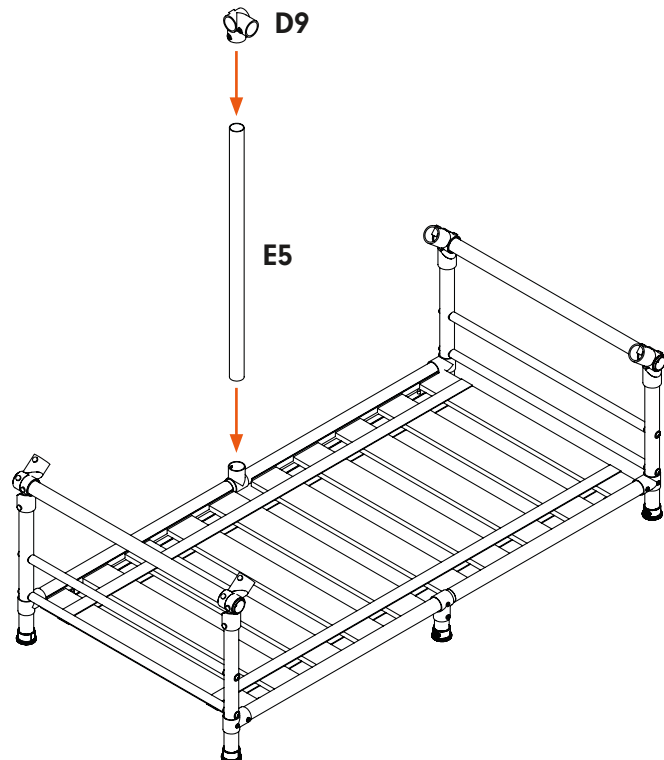
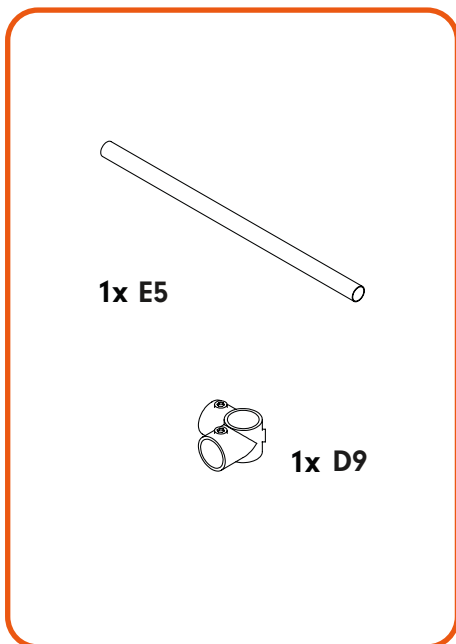
STEP 11

- Attach remain of B1 joiners to E1 pole.
- Locate and align all holes and **secure in place**.
- Only tighten these B1 joiners that attached to C1 poles.



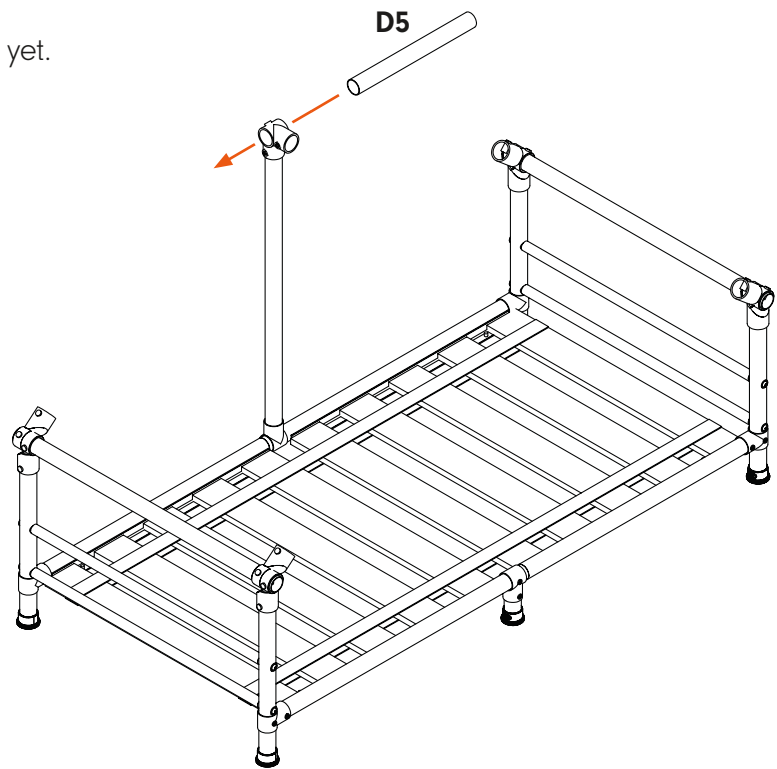
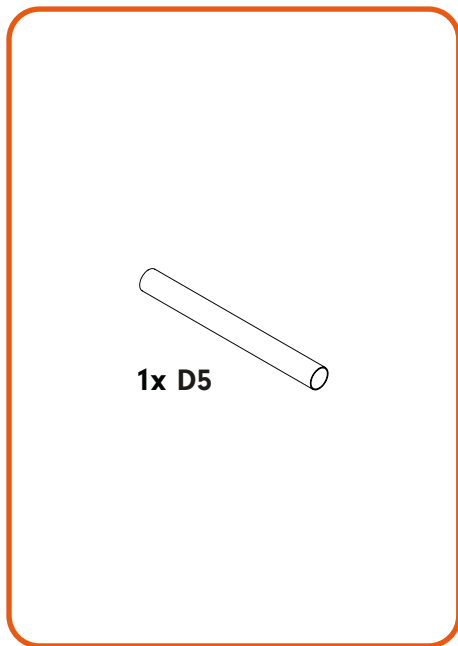
STEP 12

- Insert frame support tube (E5) into T-jointer.
- Attach 4-way joiner D9 and secure in place using grub screw. Do not fasten yet.



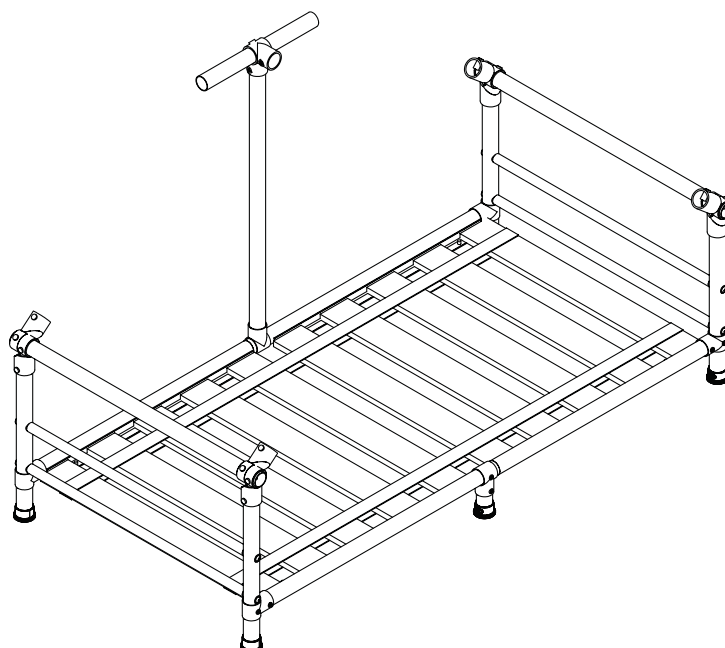
STEP 13

- Slide D5 pole through 4-way joiner.
- Align in centre of joiner, do not fasten yet.



STEP 14

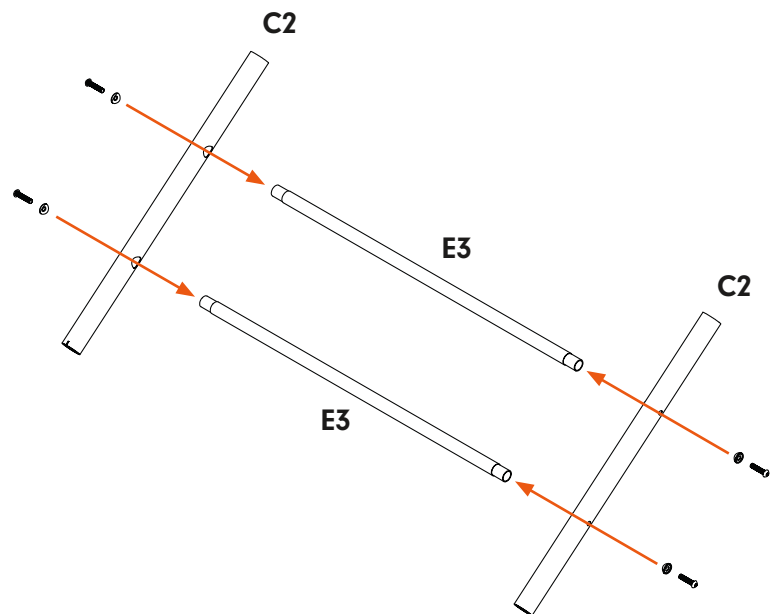
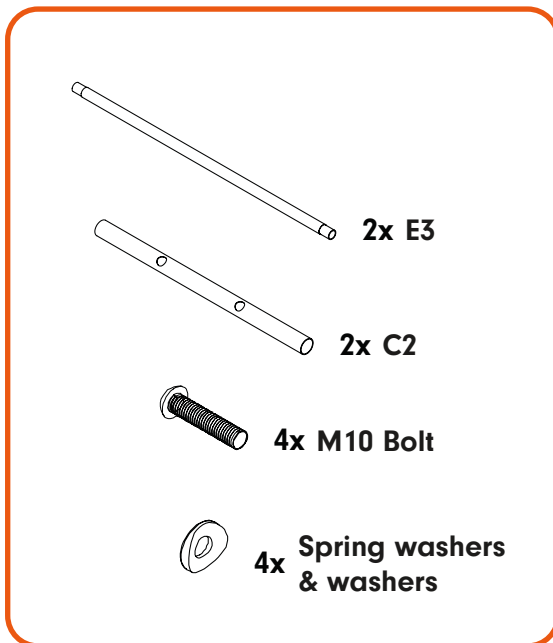
CHECK! Make sure climbing frame is assembled thus far as shown.



STEP 15: CLIMBING BARS

2x

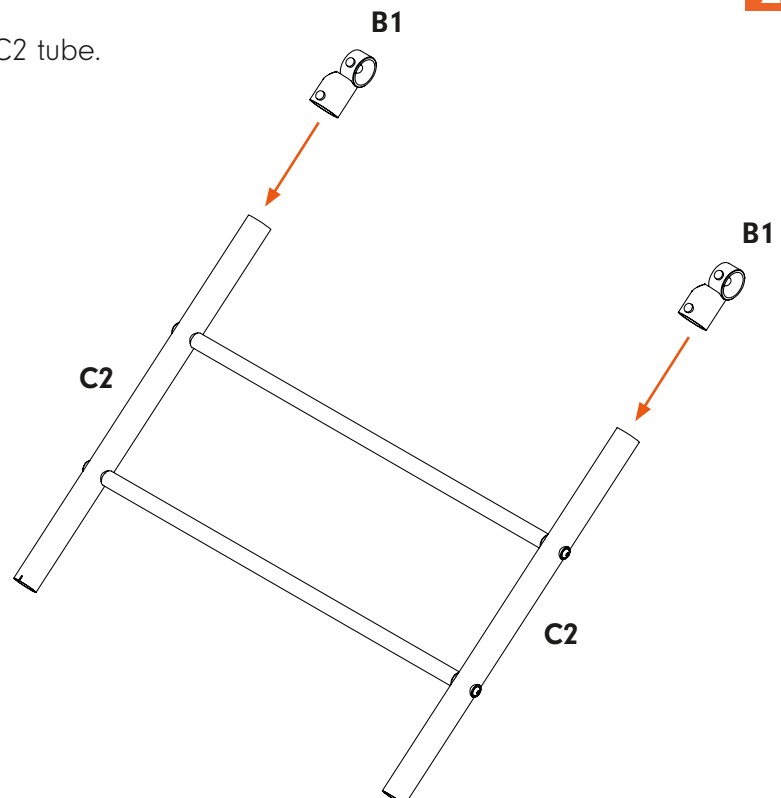
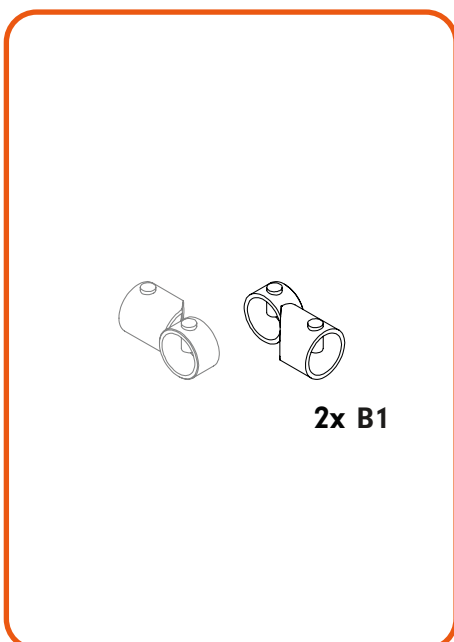
- Assemble E3 tube with C2 tube.
- Fasten using M10 locking bolts, spring washers, washers.



STEP 16

2x

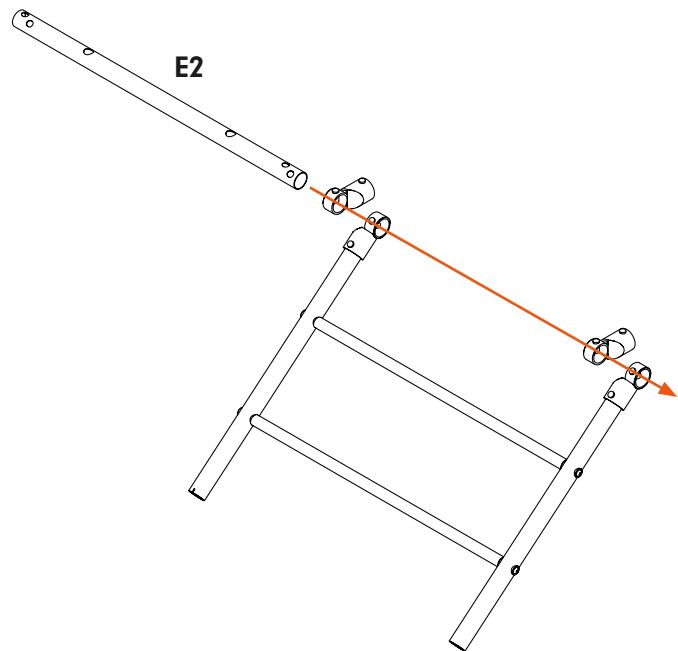
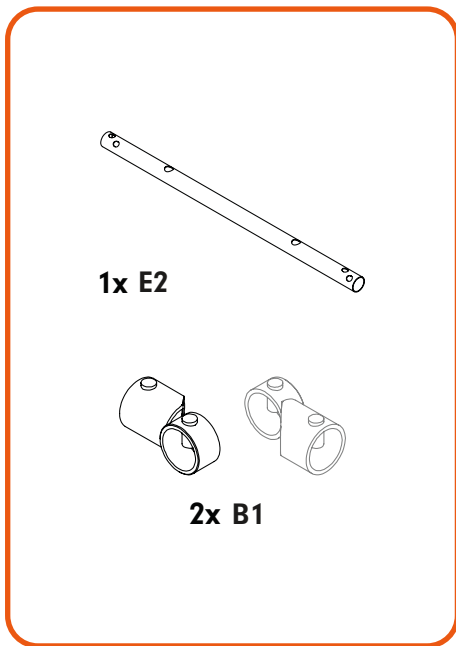
- Attach right side of B1 joiner to top of C2 tube.
- Do not tighten grub screws yet.



STEP 17

2x

- Slide E2 pole through joiner and attach left side of B1 joiner as shown.
- Locate and align all holes and **secure in place by tightening all grub screws.**

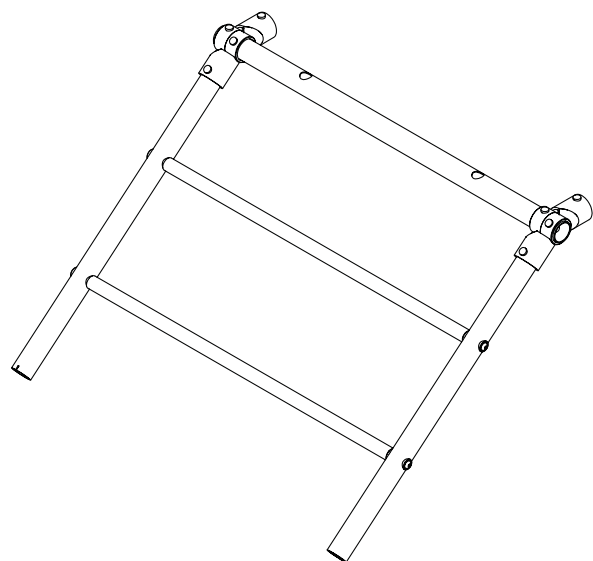
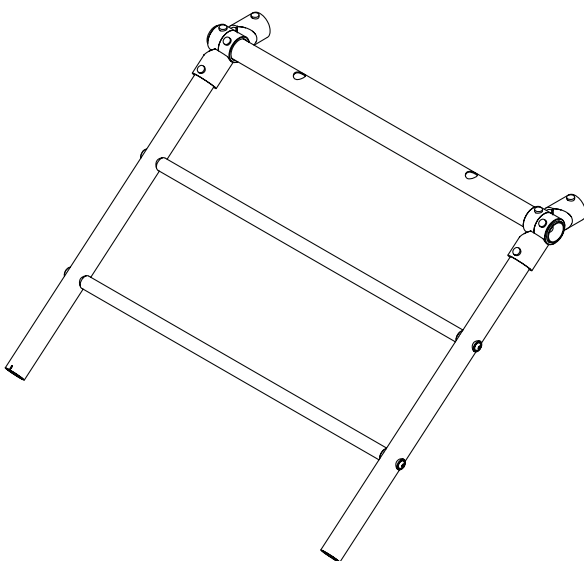


STEP 18

2x

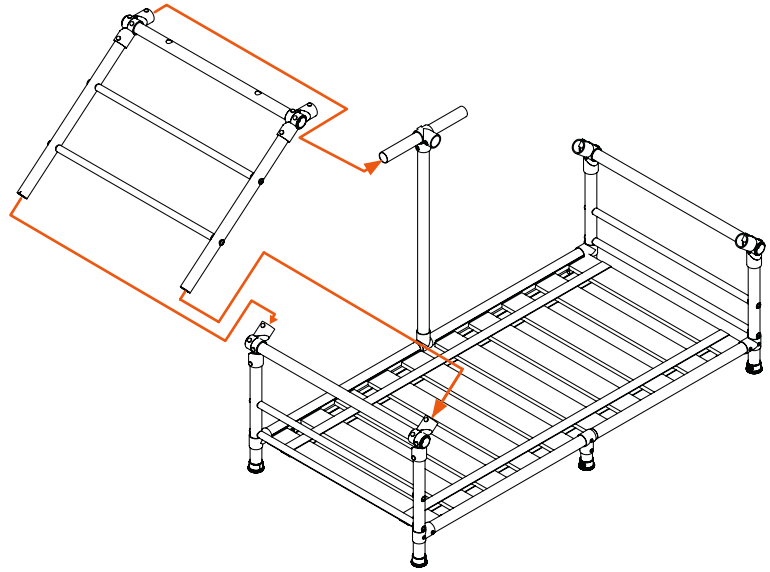
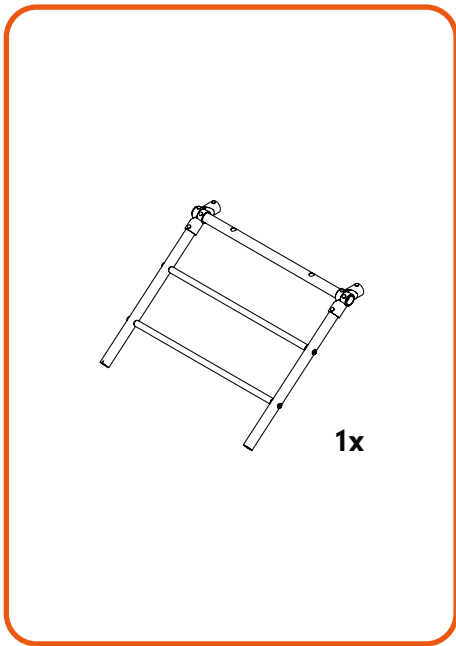
Repeat Step 15 to Step 17 to complete the other climbing bar assembly.

CHECK! Make sure climbing bar is assembled thus far as shown.



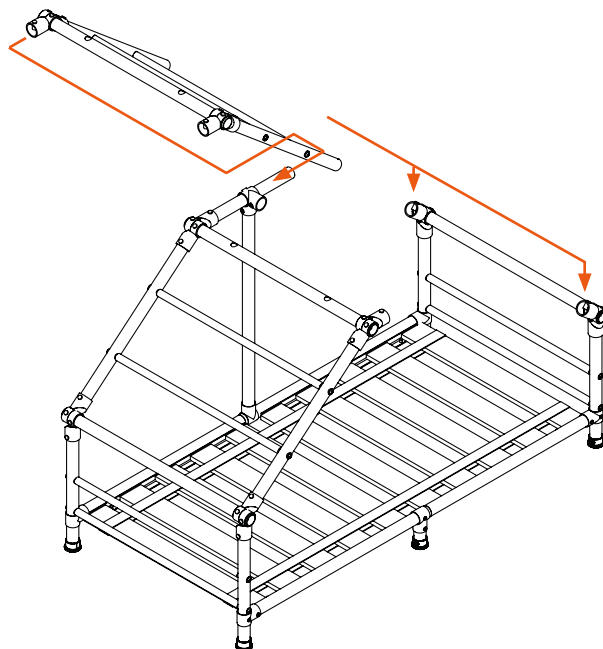
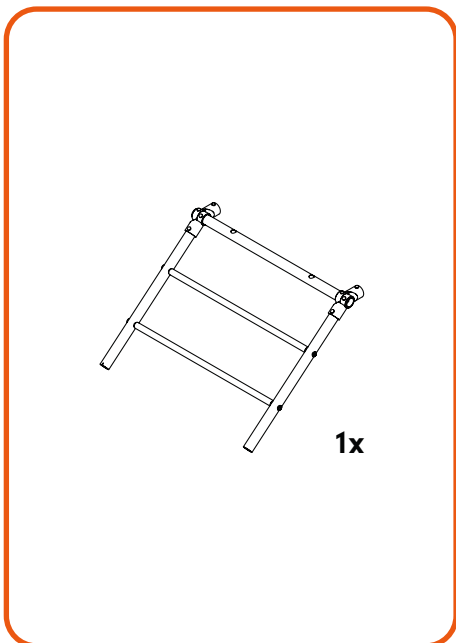
STEP 19: CLIMBING FRAME

- Attach first climbing bar assembly to climbing frame.
- Secure climbing bar assembly using grub screws. Do not fasten yet.



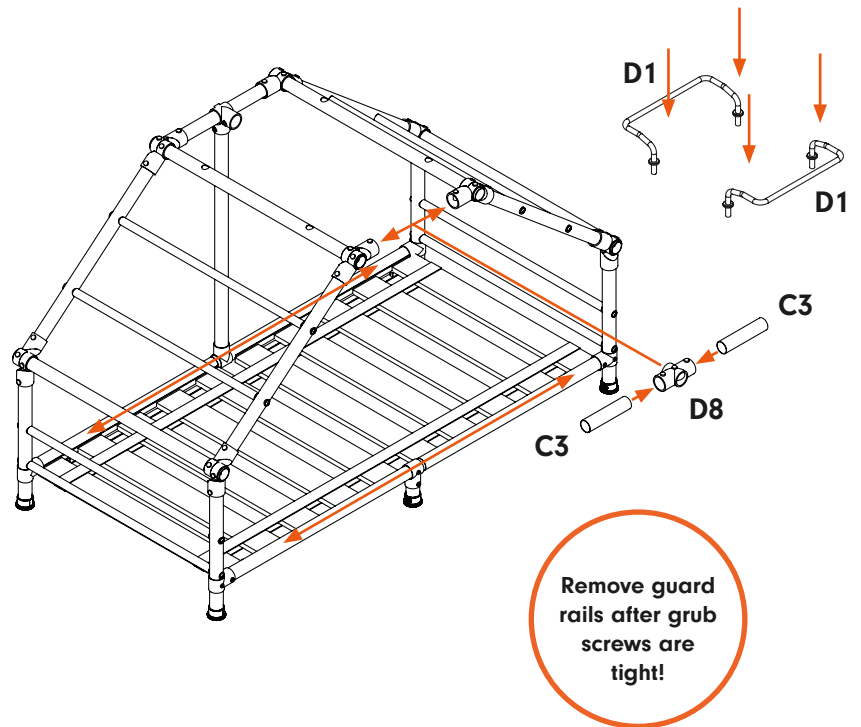
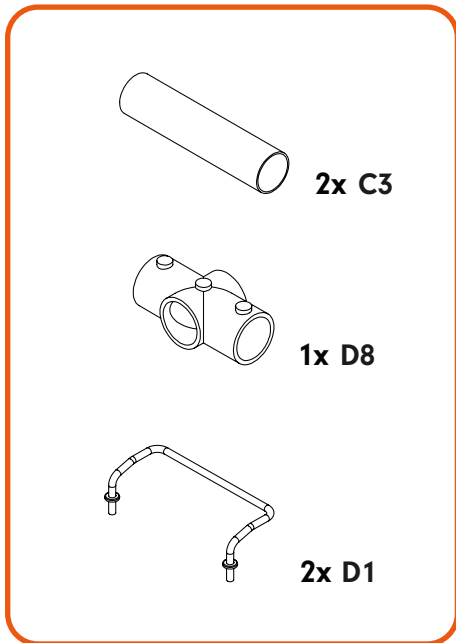
STEP 20

- Attach the second climbing bar assembly to climbing frame.
- Secure climbing bar assembly using grub screws and secure 4-way joiner. Do not fasten yet.



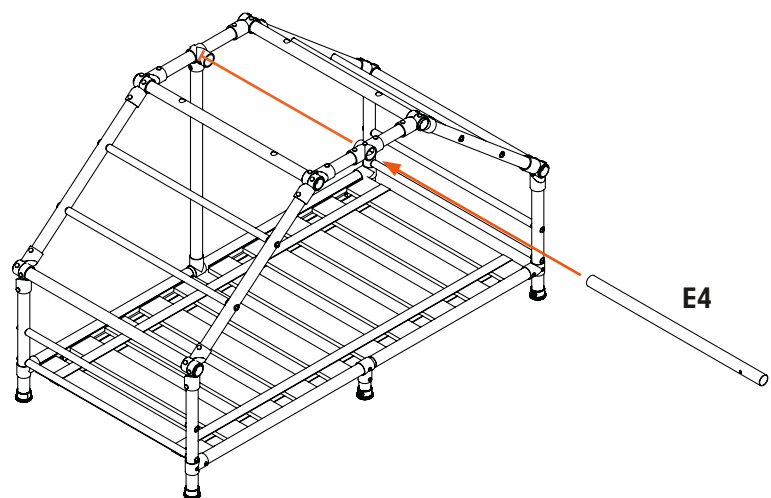
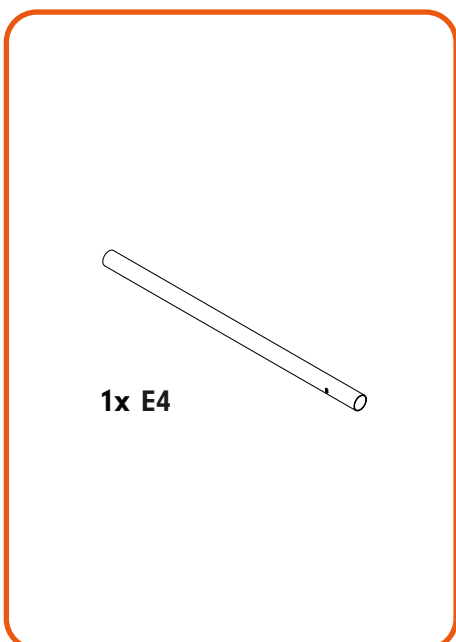
STEP 21

- Attach both C3 poles to D8 joiner, do not tighten grub screws.
- Slide into climbing frame as shown, **then use guard rail D1 to align top of frame.**
- Double make sure frame tubes are still level to the floor and then tighten all grub screws.
- Remove guard rails after grub screws are tight.



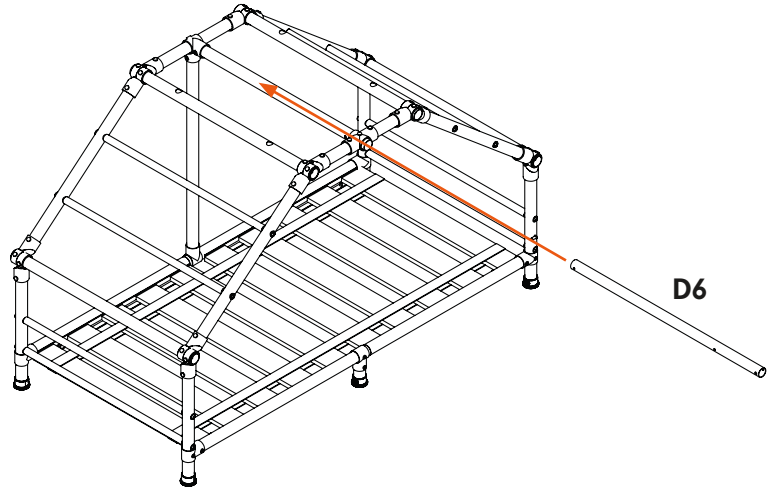
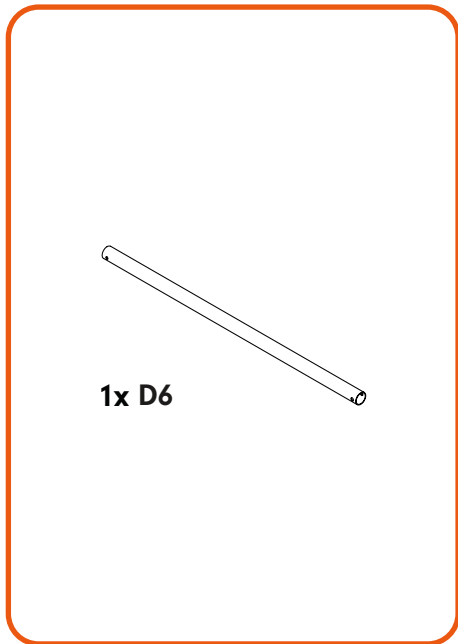
STEP 22

- Slide telescopic outer tube (E4) into climbing frame until inserted into 4-way joiner
- Secure in place by tightening grub screws.



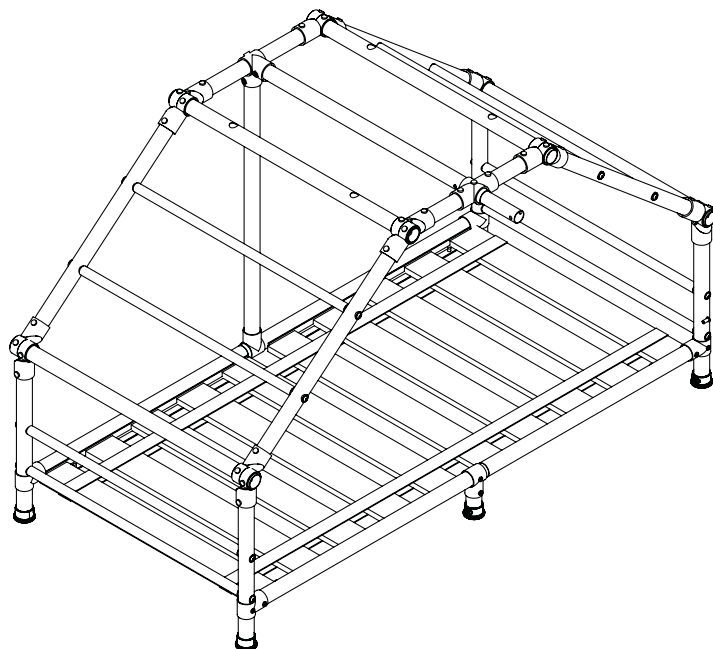
STEP 23

- Insert telescopic inner tube (D6) with the push pin first.
- Insert until only 150mm of tube remains exposed.

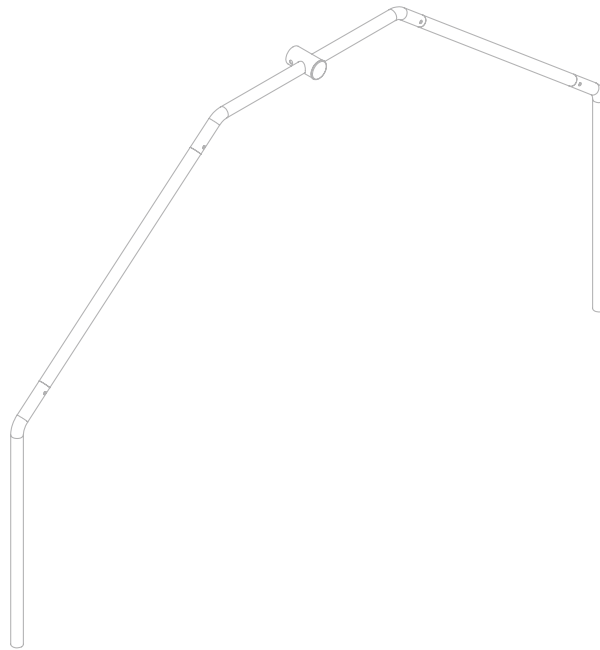


STEP 24: END CLIMBING FRAME

CHECK! Make sure climbing frame is assembled thus far as shown.

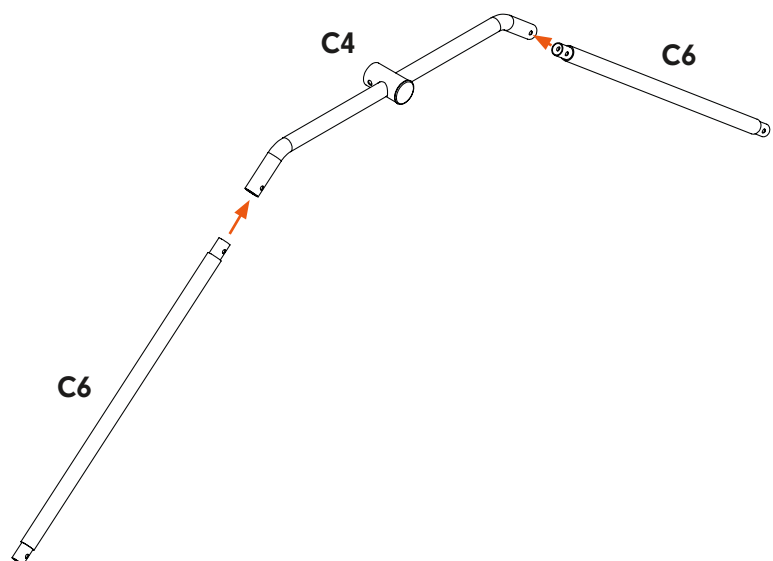
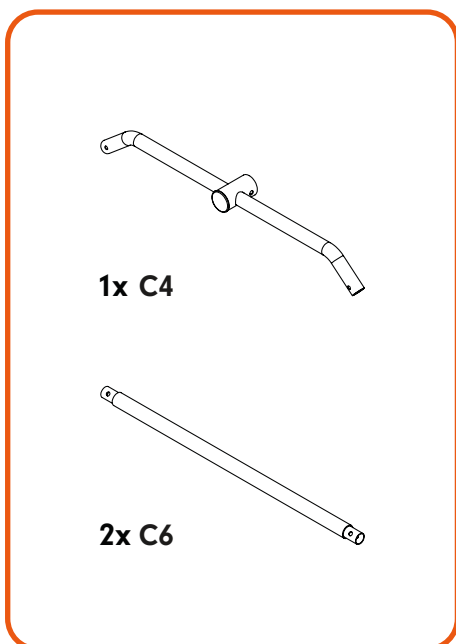


PART 3: DEN COVER



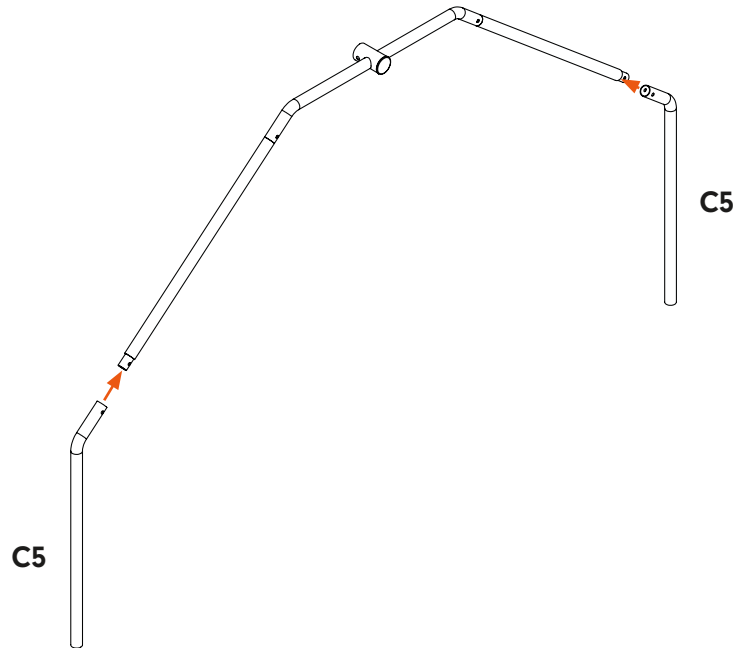
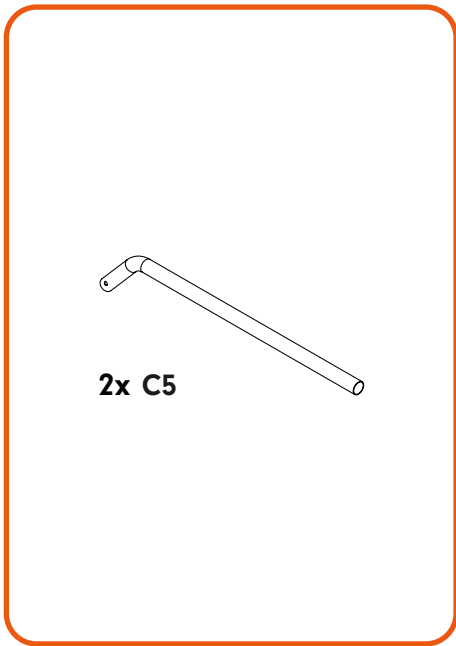
STEP 26

- Insert C6 tubes into part C4.



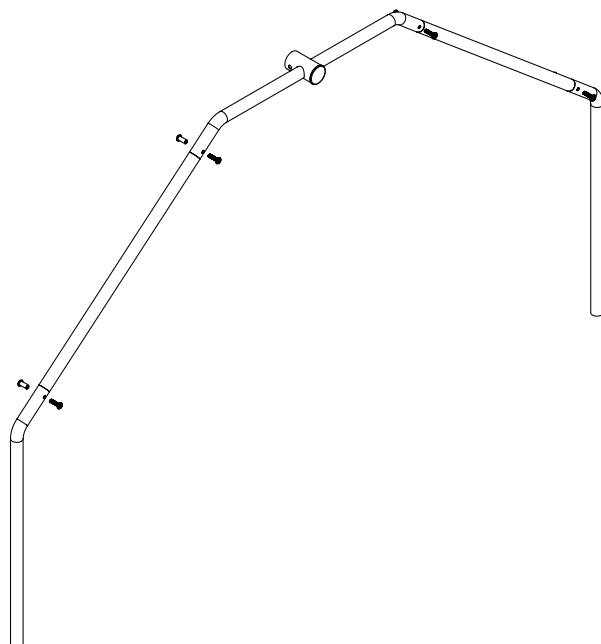
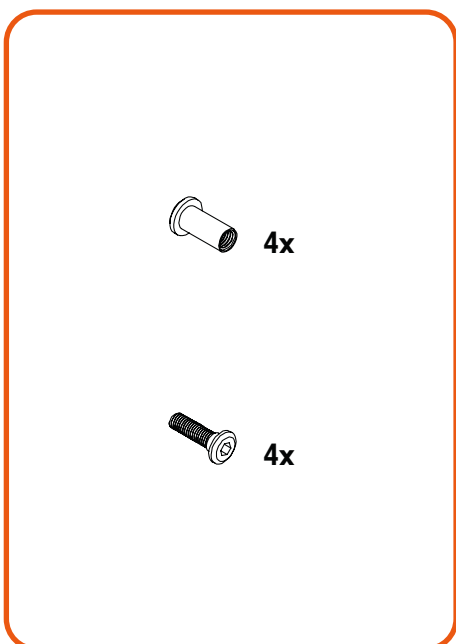
STEP 27

- Insert C5 tubes into C6 tubes.



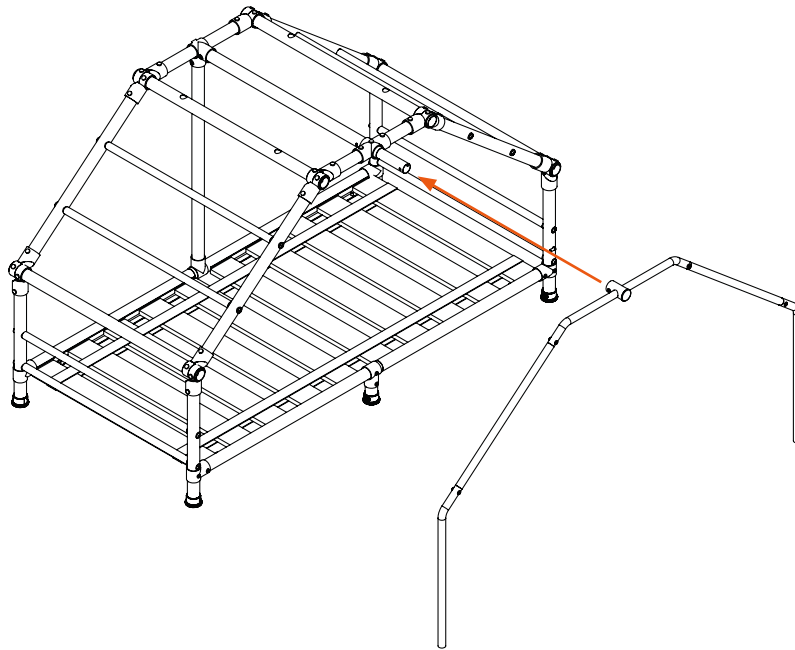
STEP 28

- Fasten using **cover bolts** in supplied hardware kit.



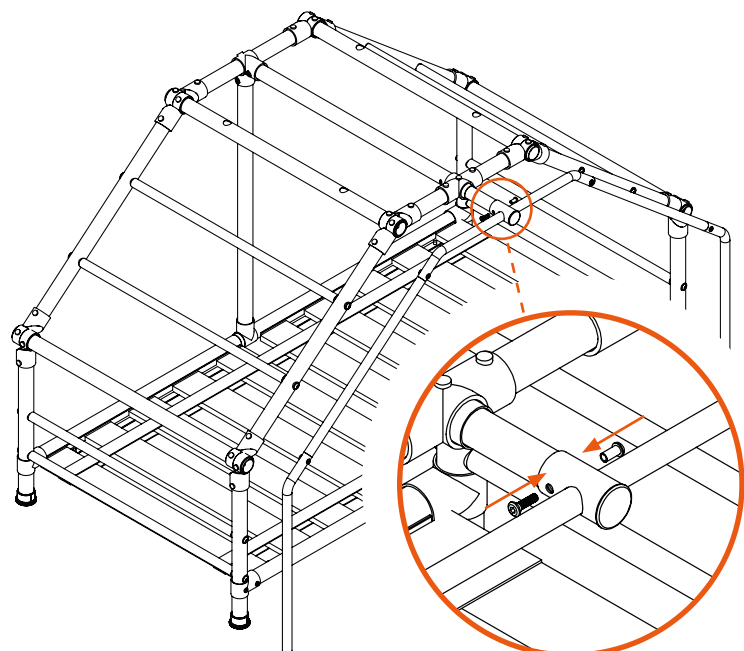
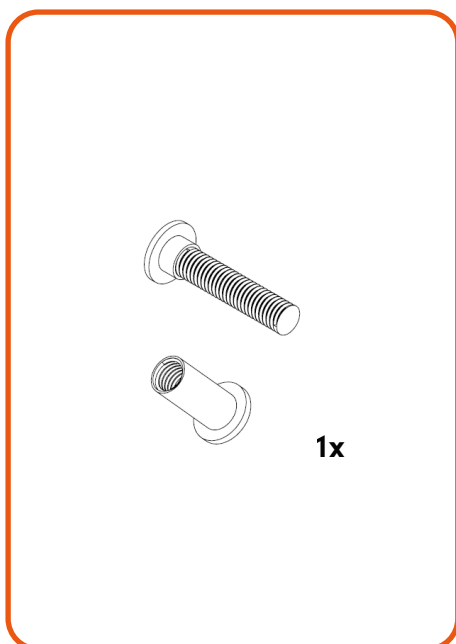
STEP 29

- Take assembled den cover and attach to inner telescopic tube.



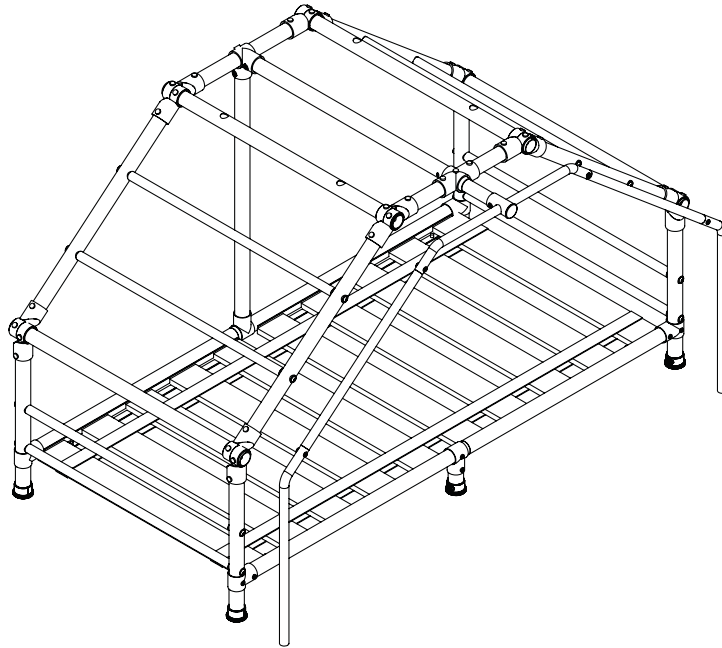
STEP 30

- Fasten using **telescopic bolt** in supplied hardware kit.



STEP 31: END DEN COVER

CHECK! Make sure den frame is assembled thus far as shown.

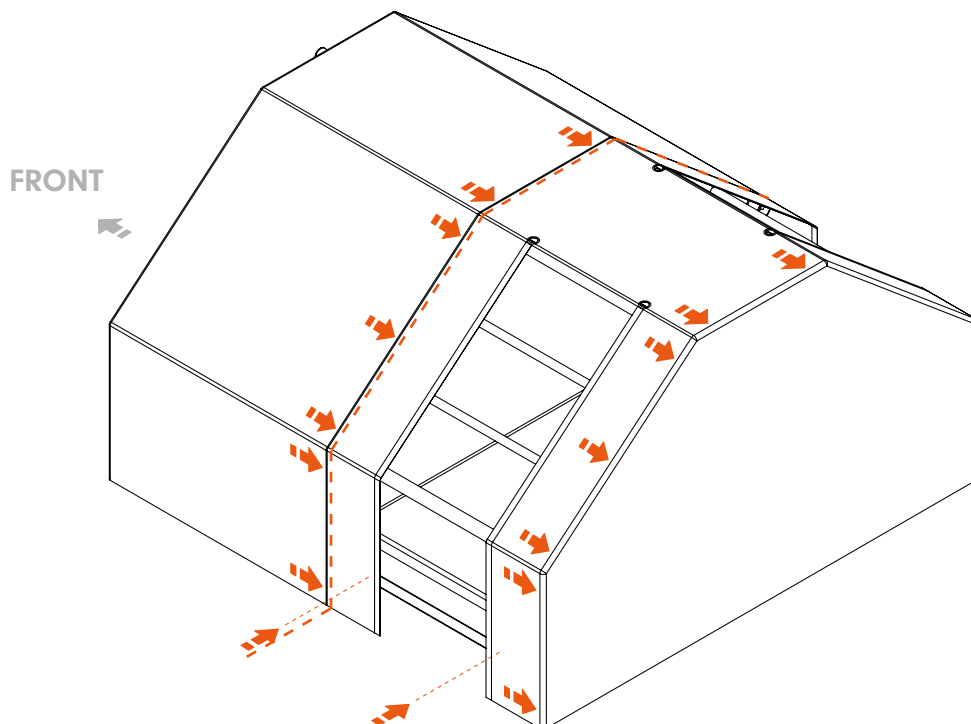
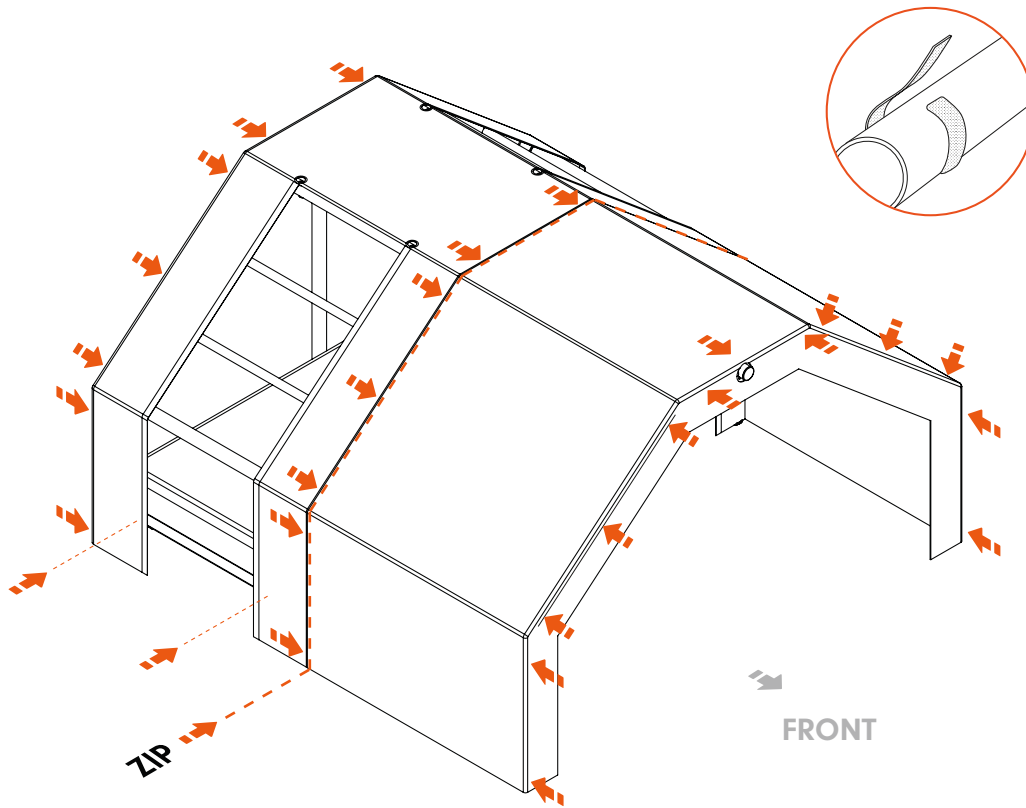


PART 3: DEN FABRIC ATTACHMENT

- Place den fabric (D4) over frame and align as shown below.

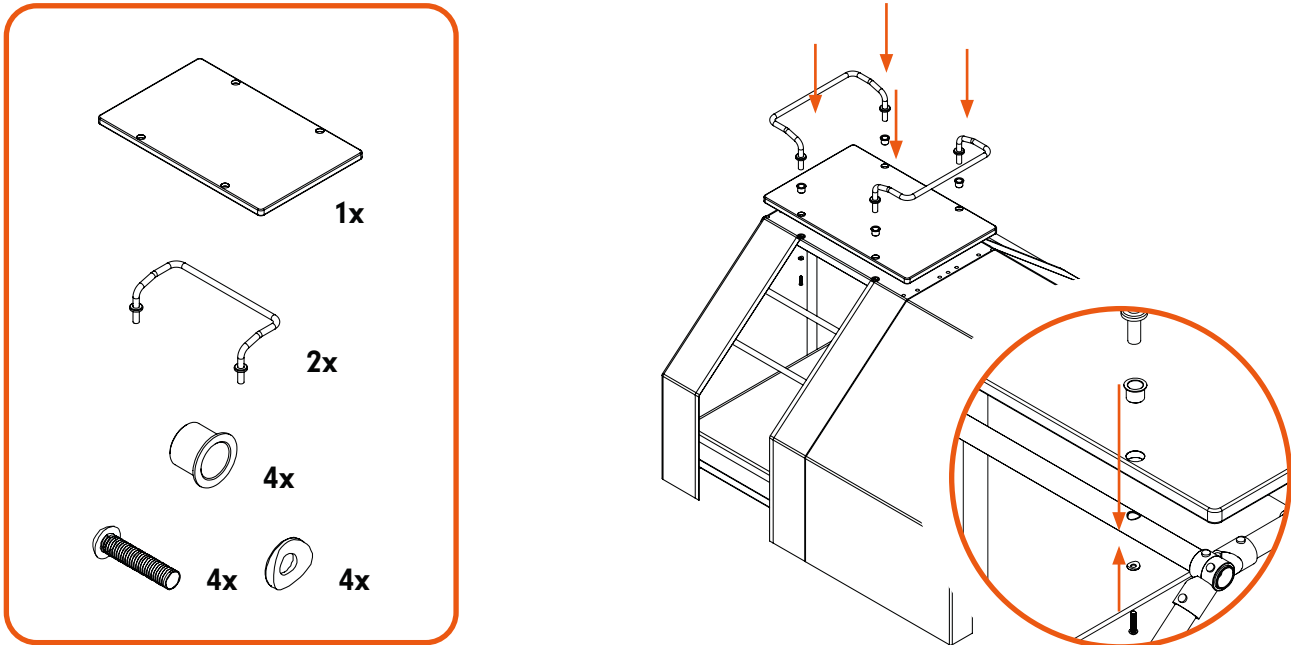
 Secure using hook and loop straps

ZIP Attach front fabric to rear fabric using zip

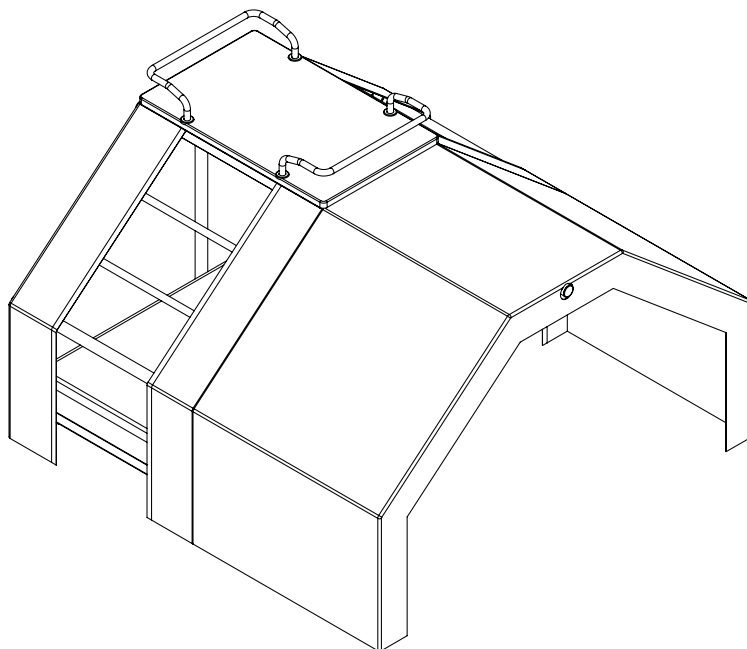


STEP 32

- Place play board (D2) on top of climbing frame.
- Locate holes and insert plastic rail guards and safety rails. Secure using locking bolts, spring washers, washers.
- **Warning!** Do not over-tighten the bolts. Otherwise, it may damage the board.

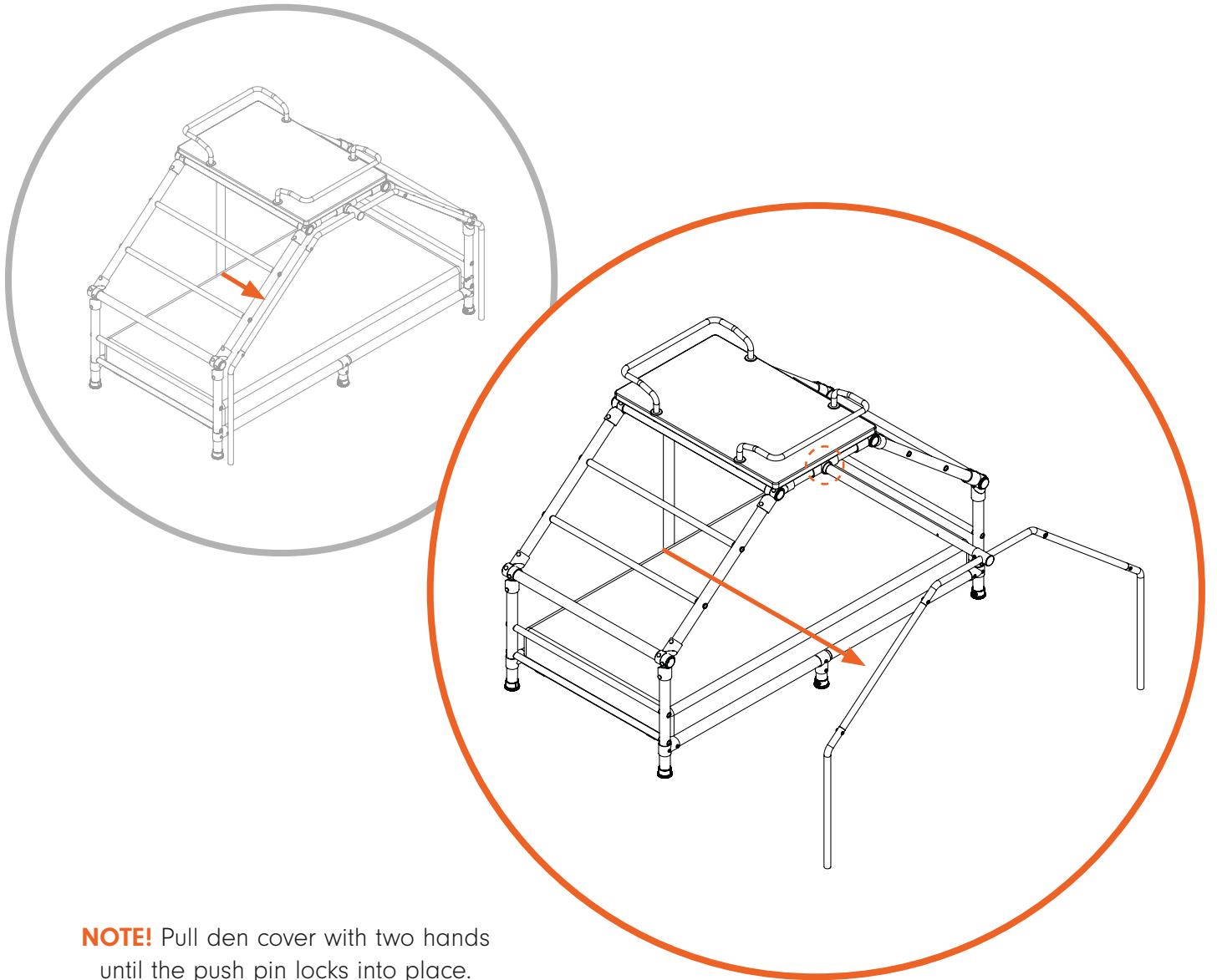


STEP 33: ASSEMBLY COMPLETE



STEP 34: EXTENDING CUBBY

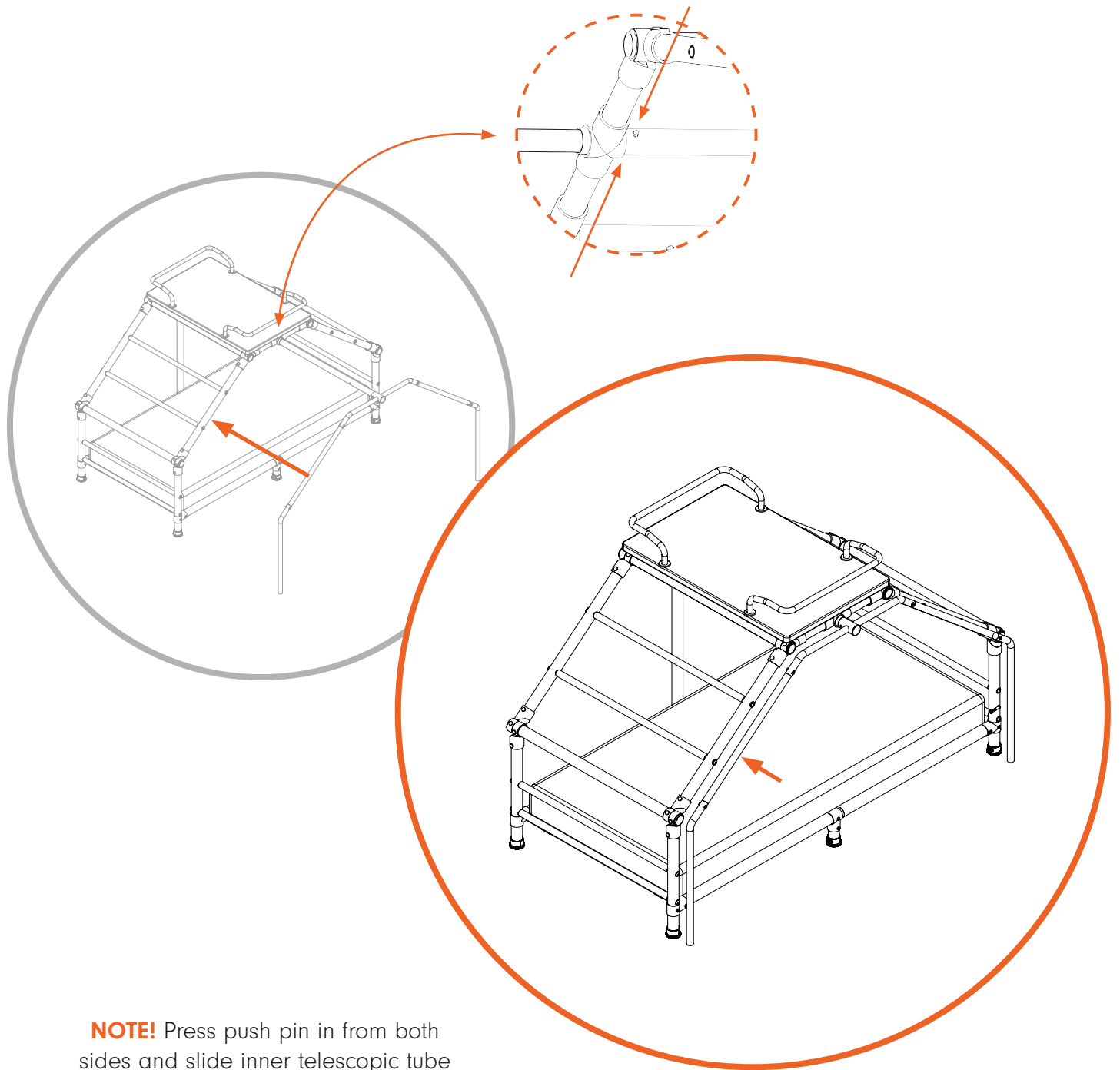
NOTE! Fabric cover hidden in drawings to show push pin location.



NOTE! Pull den cover with two hands until the push pin locks into place.

STEP 35: COLLAPSING CUBBY

NOTE! Fabric cover hidden in drawings to show push pin location.

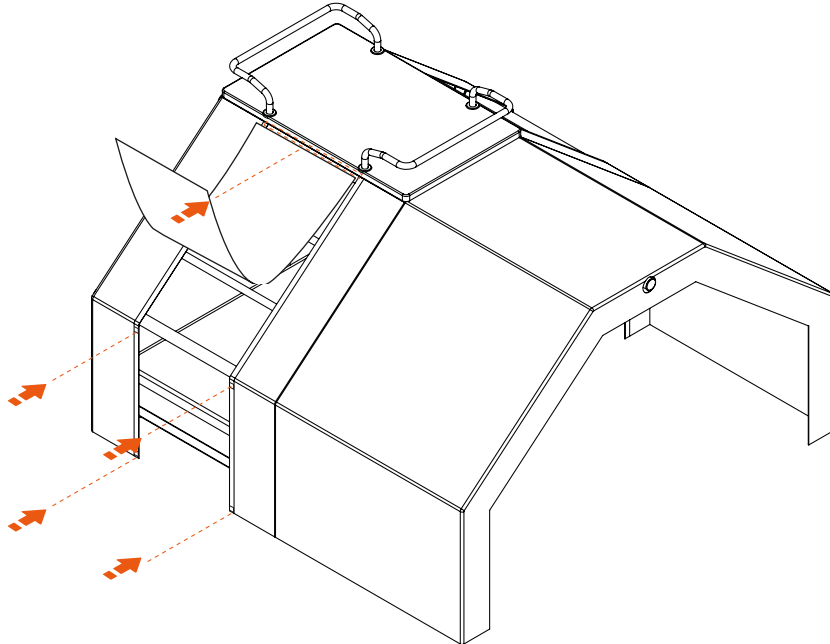


NOTE! Press push pin in from both sides and slide inner telescopic tube until fully closed.

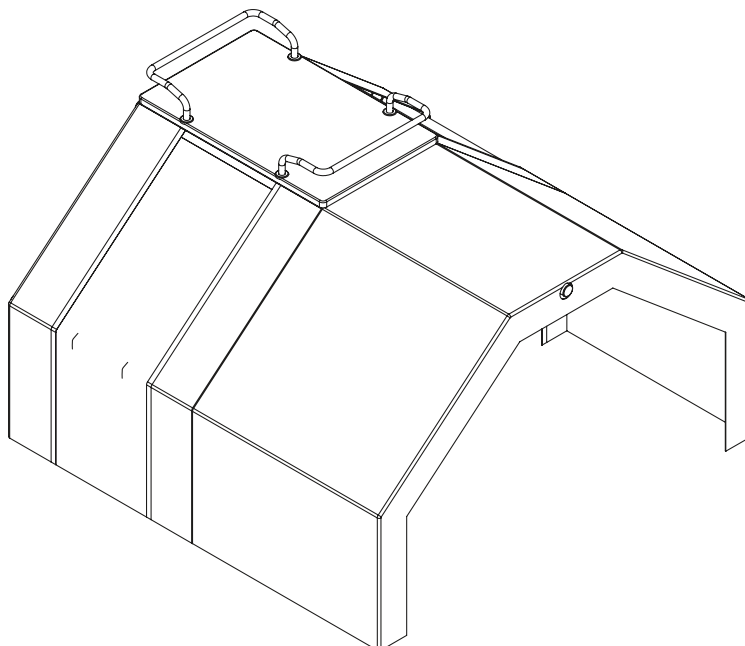
STEP 36: DEN CLIMBING COVER ATTACHMENT

- Attach Den climbing cover to the velcro attachment points as shown below.

➡ Secure using velcro attachment points.



STEP 37: DEN CLIMBING COVER ATTACHED



Product registration

To access the Half-Price Parts for Life programme or to lodge a Warranty Claim, customers must ensure that their Vuly product is registered with Vuly.

Customers who purchase directly from Vuly (through VulyPlay.com, at the Vuly Showroom or over the phone) automatically have their product registered.

Customers who purchase through an Authorised Reseller must register their product by visiting VulyPlay.com/Support and completing the form with a proof of purchase.

Half-price replacement parts

Vuly offers half-price replacement parts to all customers for the lifetime of their purchase through the Half-Price Parts for Life programme.

This programme is subject to change at any time, and it is only available to customers who have purchased either through an Authorised Reseller or directly through Vuly.

Half-Price Parts for Life is only available to customers who wish to replace parts that are core components of their system.

For the beds, these parts include the following elements of the frame:

- tubes
- joiners
- rails
- bars

The programme does not extend to individual mattresses, textiles or any other accessories.

Warranty

All Vuly products are sold with a manufacturing warranty, which assures that the item is free of defects in workmanship and materials ("warranty").

Warranty periods

Warranty periods do not reset for any reason, unless the customer purchases a new product. In this case, that particular item will be covered by its own warranty period. It does not affect - nor will it increase - warranty periods for other purchased items.

Warranty periods always commence from the date of item delivery.

For the latest warranty information please visit www.VulyPlay.com/support





See vulyplay.com/terms for the most recent Vuly warranty policies, terms and conditions.