



---

# TRAMPOLINE LEVELLER

---

## MANUAL



Visit [www.vulyplay.com/install](http://www.vulyplay.com/install)  
for step by step video instructions, or scan this QR code



**ADULT SUPERVISION IS REQUIRED AT ALL TIMES** WHILST EQUIPMENT IS IN USE.  
**VULY CARES ABOUT SAFETY.**



## **WARNING:**

To reduce the risk of injury while using the system, enforce the following:

### Safe use information

- Minimum user age – 6 years.
- Domestic and outdoor use only.
- Adult assembly required.
- Adult supervision required at all times.
- Inspect before and after each use.
- Replace any worn, deteriorated, defective or missing parts immediately and only through Vuly.
- Risk of strangulation or death due to items restricting airways, becoming entangled or entrapped by the equipment.
- The system may become hot enough under direct sunlight and cause burning injuries.
- Ensure that the system is secured with anchors or bolts before use.
- Check all coverings and bolts for sharp edges and replaced when required.

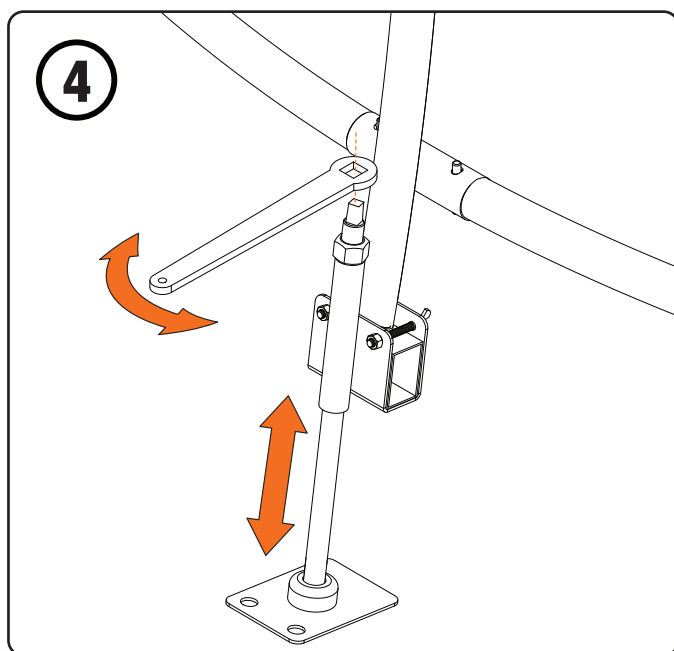
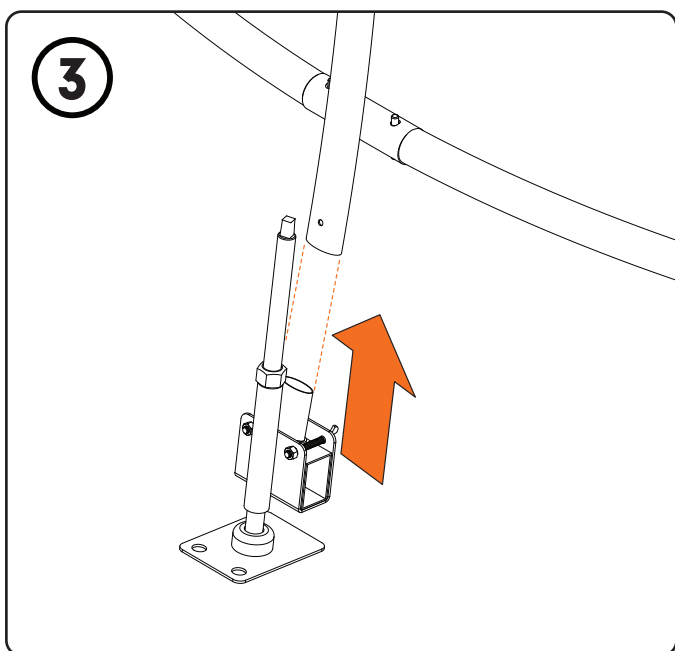
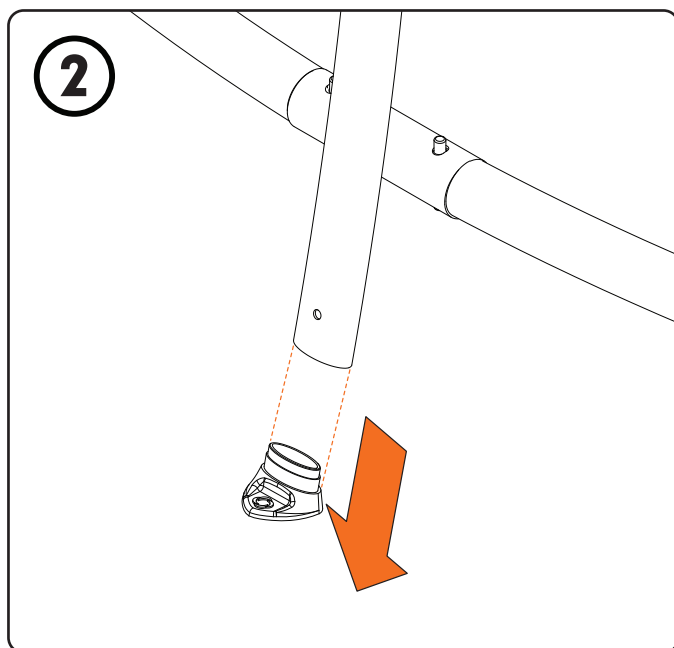
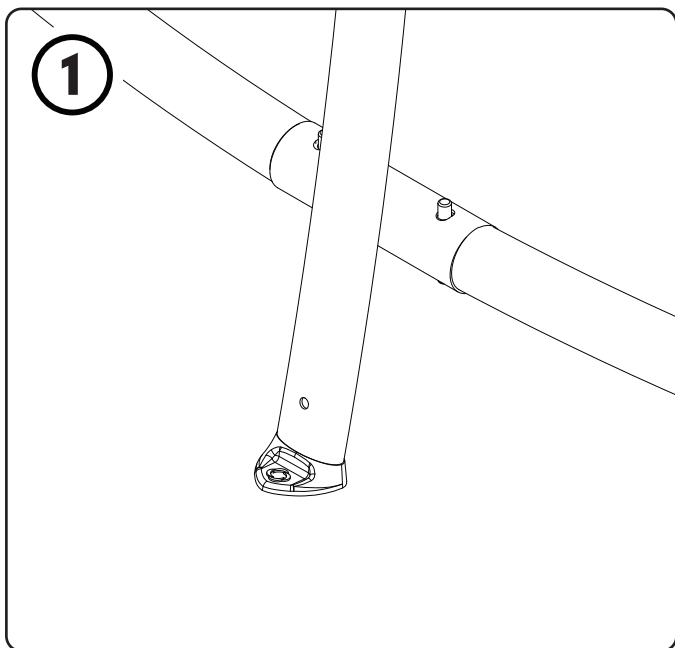
### Assembly information

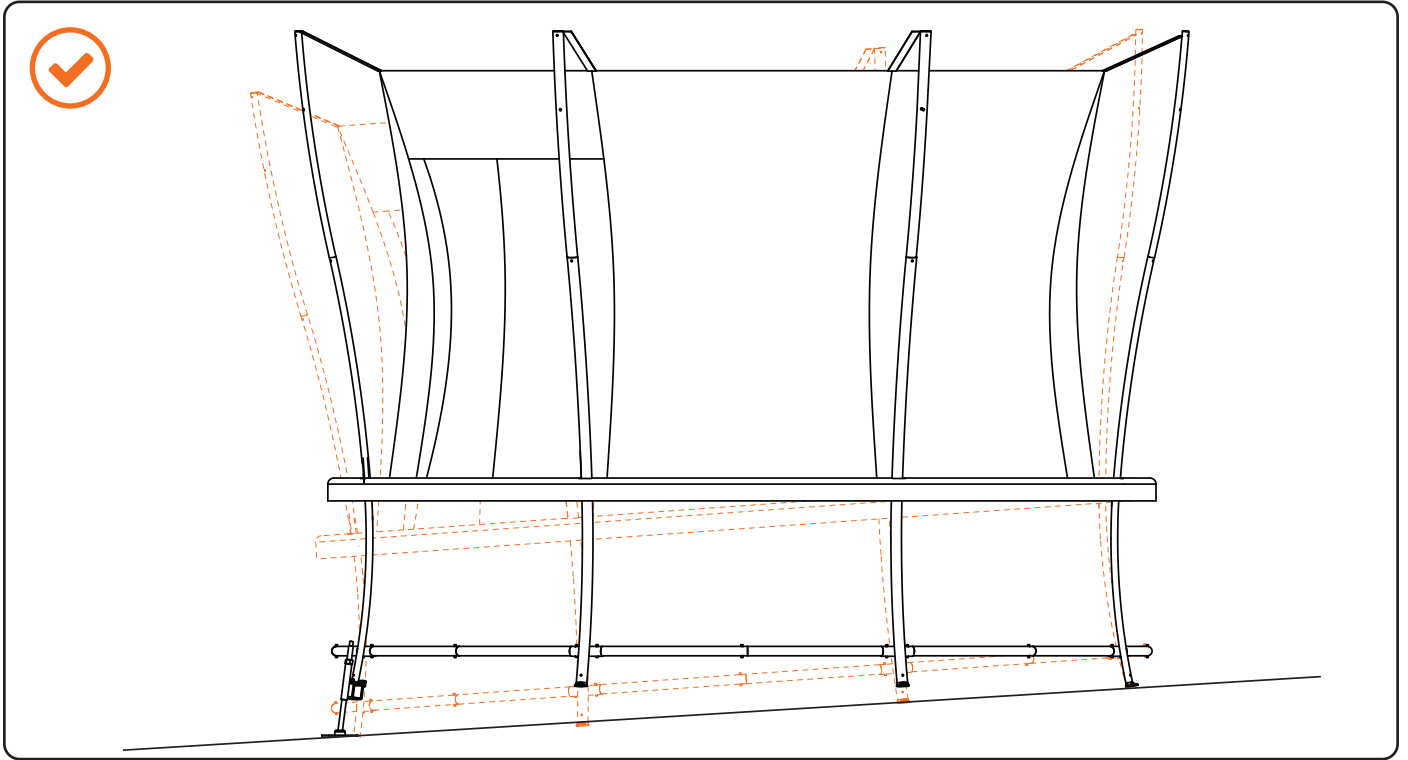
- Ensure that the system has been assembled by an adult, in accordance with the assembly instructions.
- Ensure that the maximum raised height of the system is not exceed 2.5m as measured from the ground.
- Ensure that the system is on a level surface at least 1.8m from any structure or obstruction such as a fence, garage, house, overhanging branches, laundry lines or electrical wires.
- Ensure that the system is installed over impact absorbing surfaces such as grass and is not be installed over concrete, asphalt or any hard surface. A fall onto a hard surface can result in serious injury or death to the equipment user.
- Ensure that the system has been checked over before use, and that all attachments are secure.
- Make sure that the areas around, underneath and above the system are clear.
- Installation errors can cause falls from equipment, serious head injury or death.
- Retain this instruction manual for further reference.

### Usage and Behaviour

- Do not use in strong wind conditions or wet weather, and keep the system secure.
- Climb on and off the system with caution and only while the part is not moving. Never jump off.
- Exercise caution at heights.
- Demonstrate safe use for children before allowing them onto the system.
- Do not walk close to, in front of, behind, or between moving items.
- Do not twist chains or ropes or loop them over the top rails.
- Do not attach items that are not specifically designed for use with the system, such as – but not limited to – jump ropes, clothesline, pet leashes, cables and chains.

# LIFT 2 & THUNDER





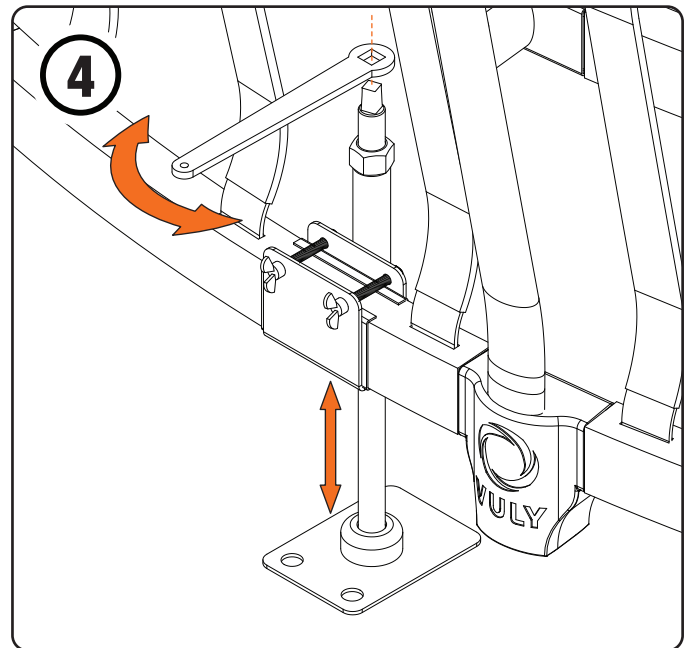
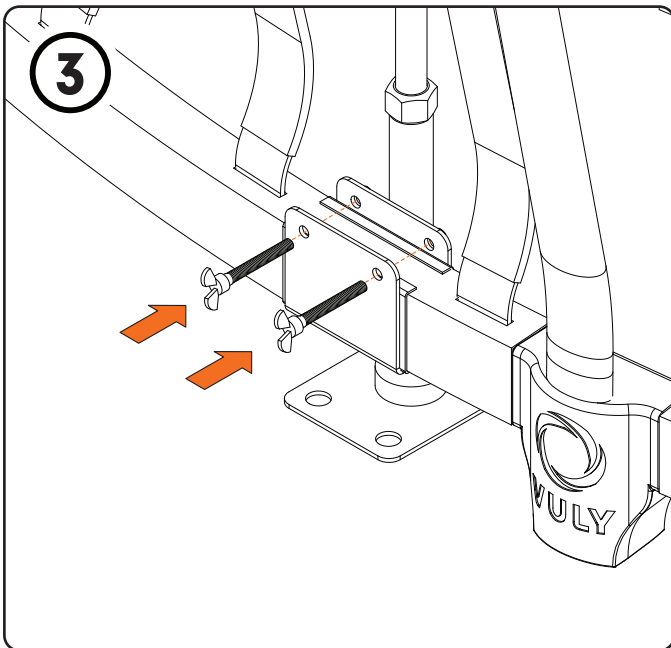
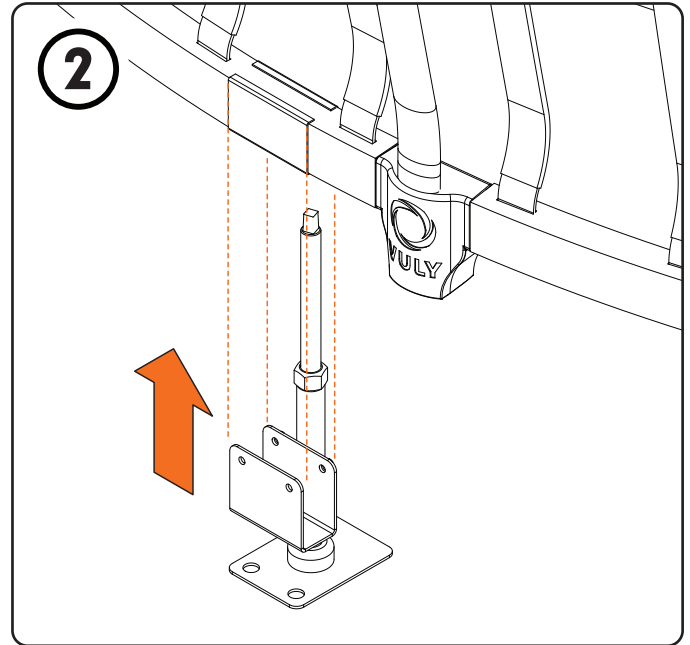
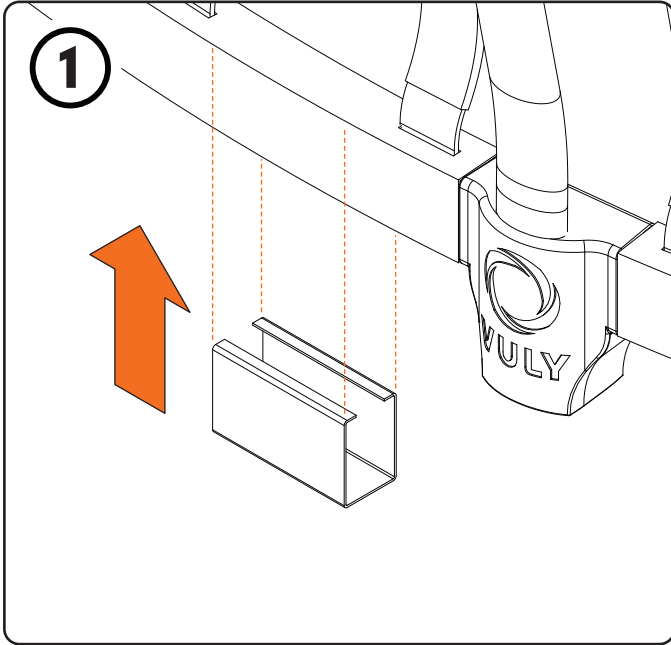
---

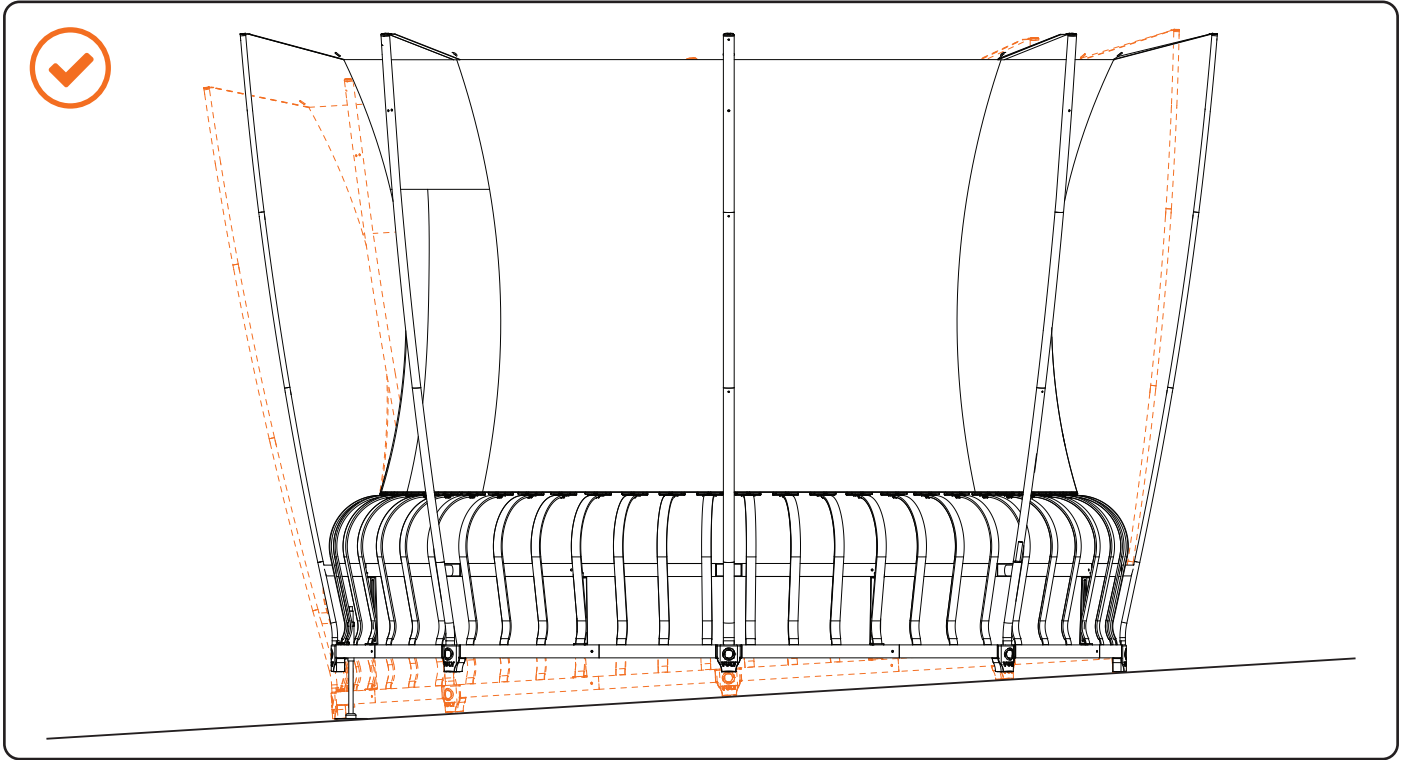
# CONGRATULATIONS!

You have attached the Leveler to your Trampoline.

---

# THUNDER PRO





---

# CONGRATULATIONS!

You have attached the Leveler to your Trampoline.

---





See [VulyPlay.com/Terms](https://www.vuly.com/terms) for the most recent Vuly warranty policies, terms and conditions.