



Basketball Set



ADAPTER FOR QUEST

ATTENTION!

SAFETY INFORMATION, INSTALLATION, CARE AND MAINTENANCE INSTRUCTIONS.
READ PRIOR TO ASSEMBLING AND USING THE PRODUCT.

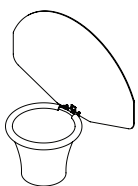
Vuly cares about safety.
Adult supervision is required at all times whilst equipment is in use.

If you have any feedback regarding our instructions, feel free to email instructions@vulyplay.com so that we can continue to improve.

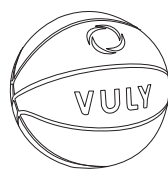


Visit www.vulyplay.com/install
for step by step video
instructions, or scan this QR code

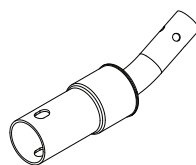
PARTS LIST



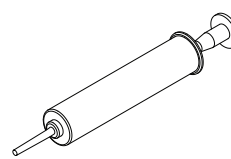
Pre-assembled Hoop and Backboard



Basketball



Quest Basketball Set Adapter

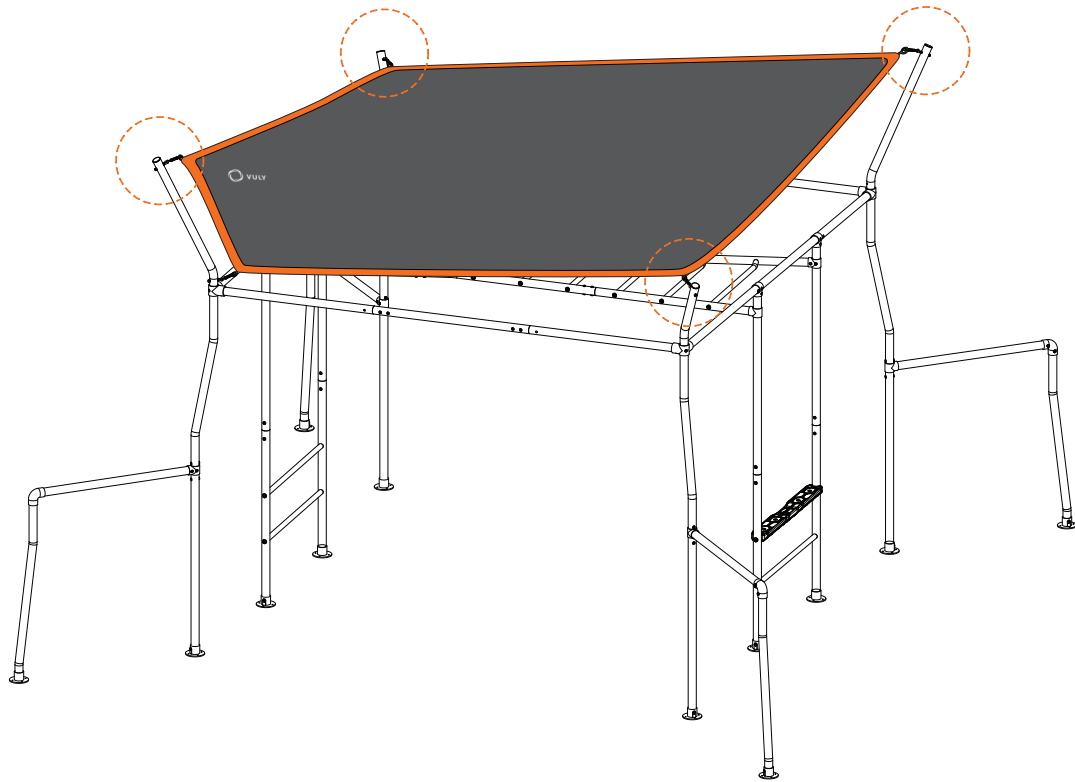


Pump

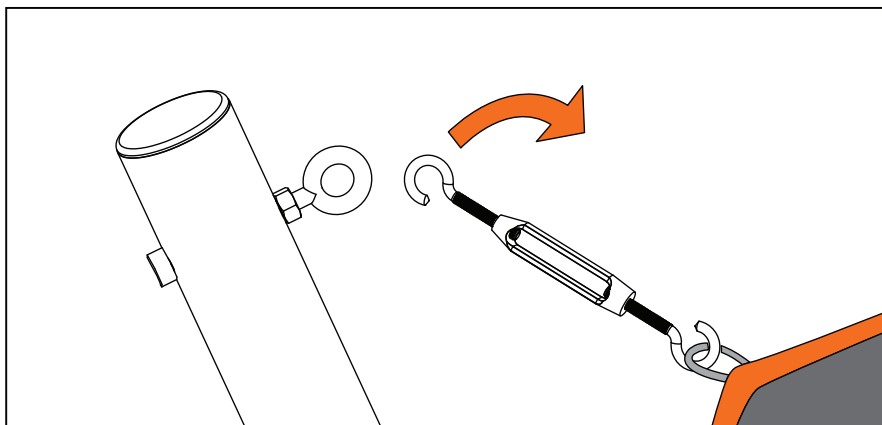
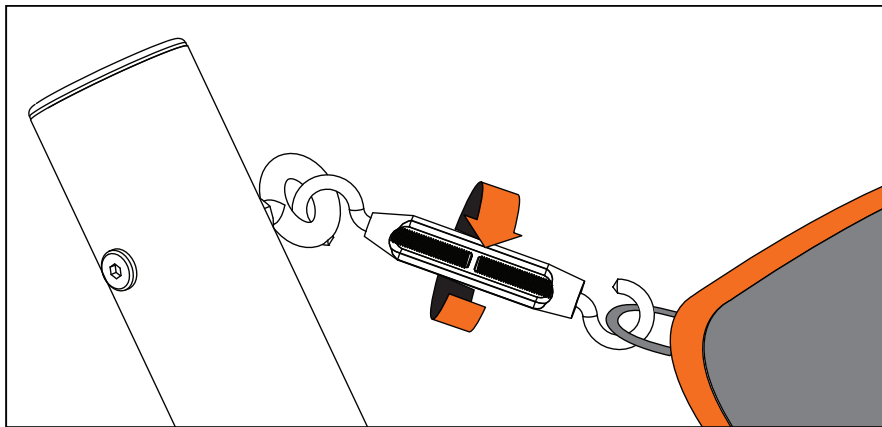
ASSEMBLY INSTRUCTIONS

QUEST SERIES

1

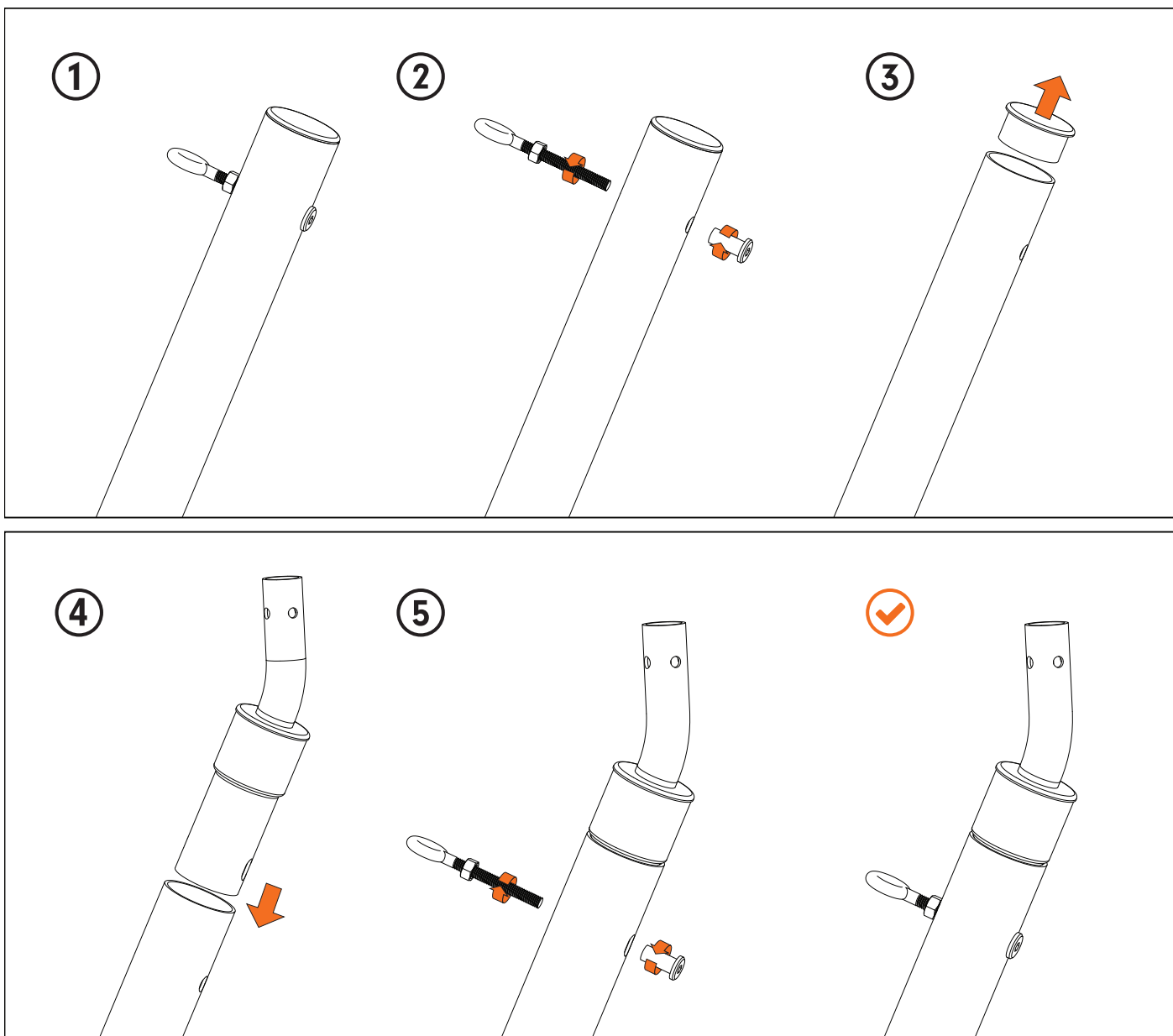


Select one of the shade cover tubes that the basketball set will be installed on.



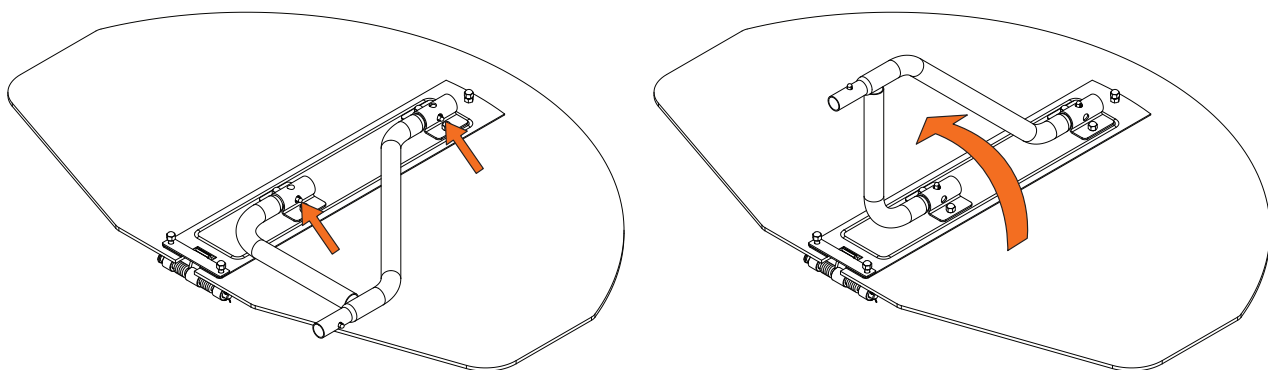
Loosen the tension hook and disconnect the shade cover from the tube.

2



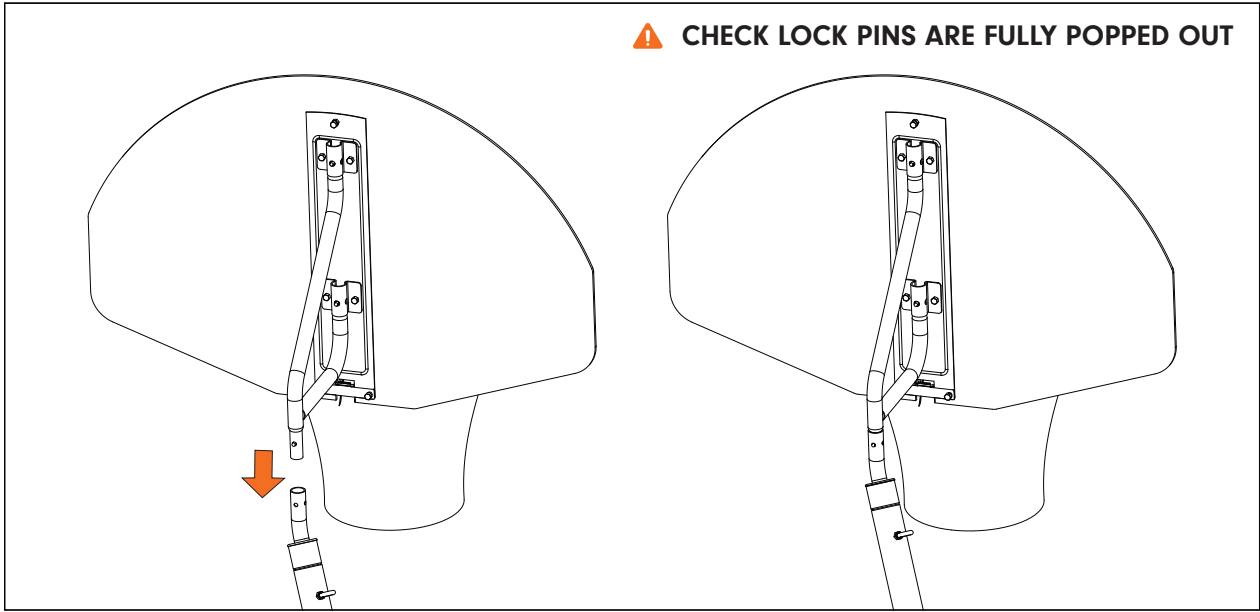
Install the adapter as shown above.

3

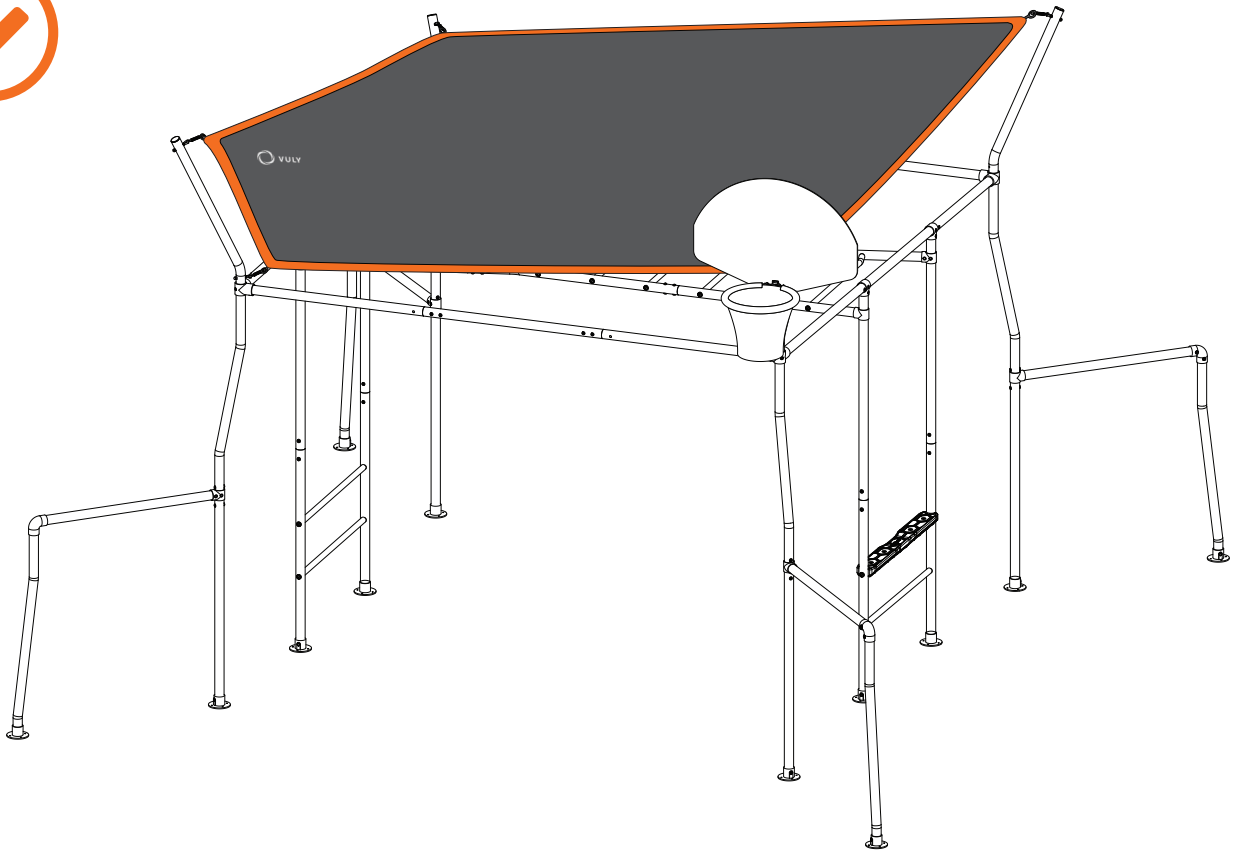


Click the frame on the backboard into position.

4



Insert the Basketball Set frame into the top of the adapter.



CONGRATULATIONS!

You have attached the Basketball Set to your Quest.
