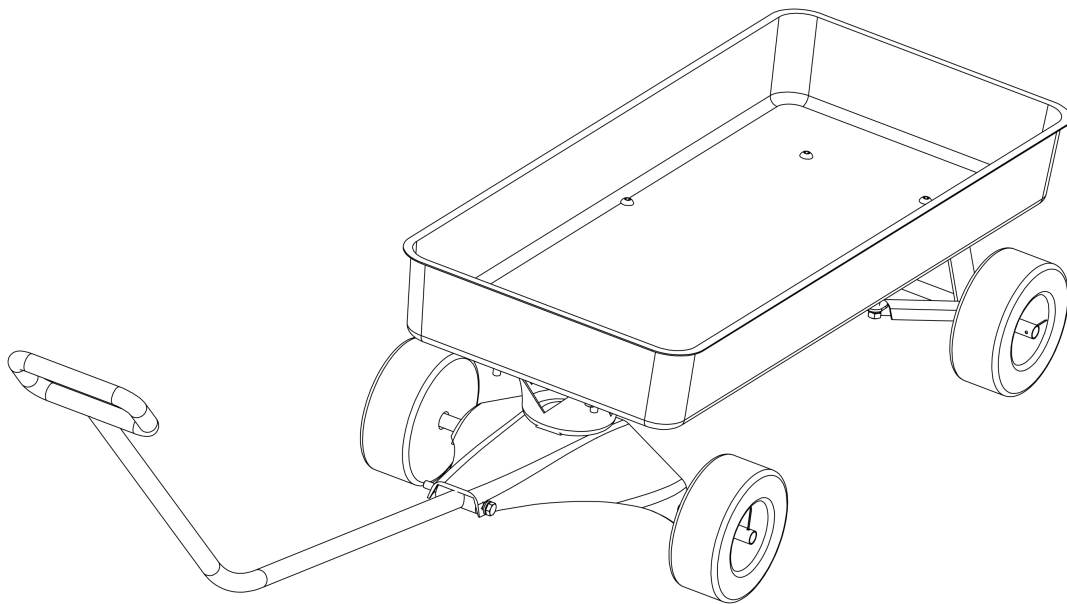




Scout




MANUAL


Visit [VulyPlay.com/Installation](https://www.vulyplay.com/installation)
for video instructions

MAINTENANCE AND CARE

Improper use or lack of care can lead to your product deteriorating earlier than expected. Please follow all of these care instructions to ensure that your product lasts for as long as possible.

WEATHER CARE

 Cover your product when not in use.

 Store your product during inclement weather.

STORAGE

Store in a cool, dry place.

SAFE USE

Save these instructions in case you need to contact Vuly for replacement parts.

Remember: Failure to follow these safety instructions may result in injury or property damage, and will also void your warranty.

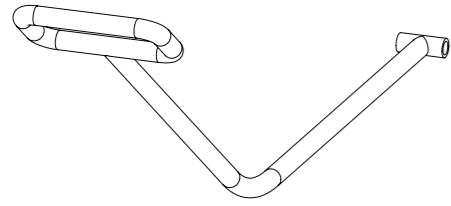
SAFETY WARNINGS FOR INSTALLATION

- Assemble the system in accordance with these instructions only.
- Ensure that the system is properly and completely assembled before use.

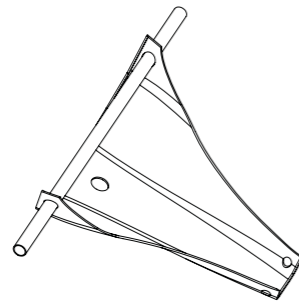
SAFETY WARNINGS FOR USE

- For domestic use only.
- For outdoor use only.
- For use under adult supervision only.
- Adult assembly required.
- Use caution when operating on an incline.
- Not suitable for children under 3 years.
- Maximum user weight: 80 kg

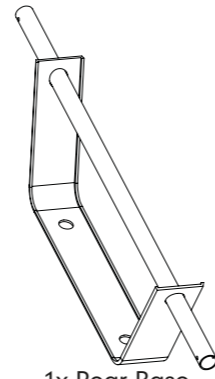
PARTS REFERENCE



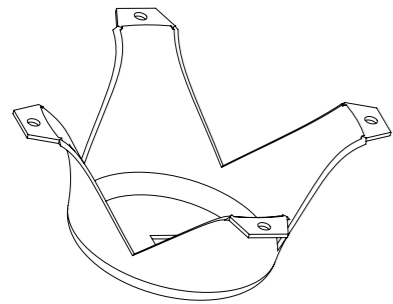
1x Handle



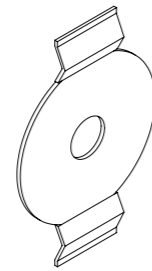
1x Lower Front Base



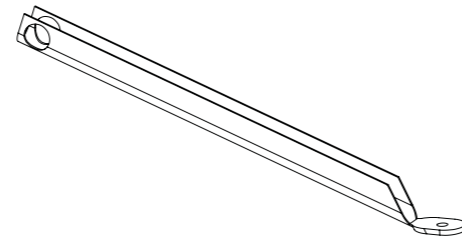
1x Rear Base



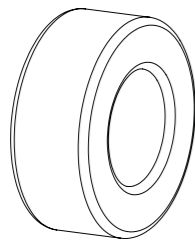
1x Upper Front Base



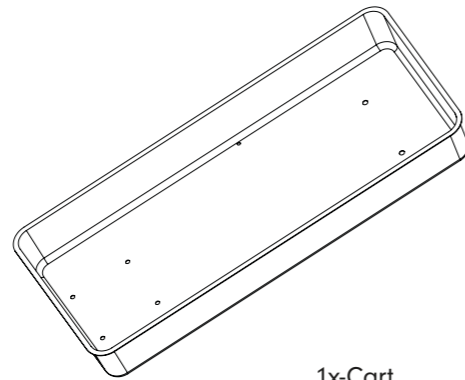
2x Large Washer



2x Rear Support



4x Wheel



1x Cart

PRE-ASSEMBLY

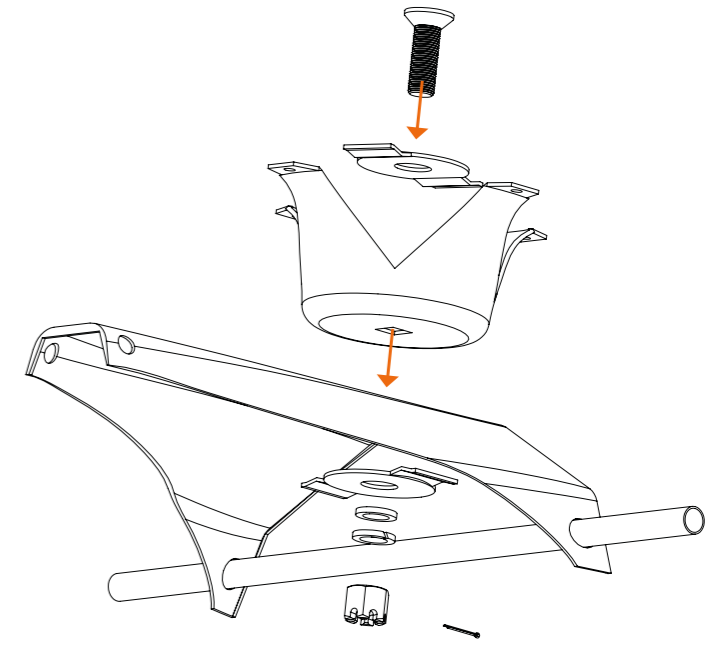
ENSURE THAT AS YOU ASSEMBLE THE PRODUCT, YOU FIRMLY TIGHTEN ALL NUTS AND BOLTS, UNLESS DIRECTED.

ASSEMBLY

STEP | 1

Position the parts as shown. Secure the Upper Front Base and Lower Front Base together, with Large Washers on either side.

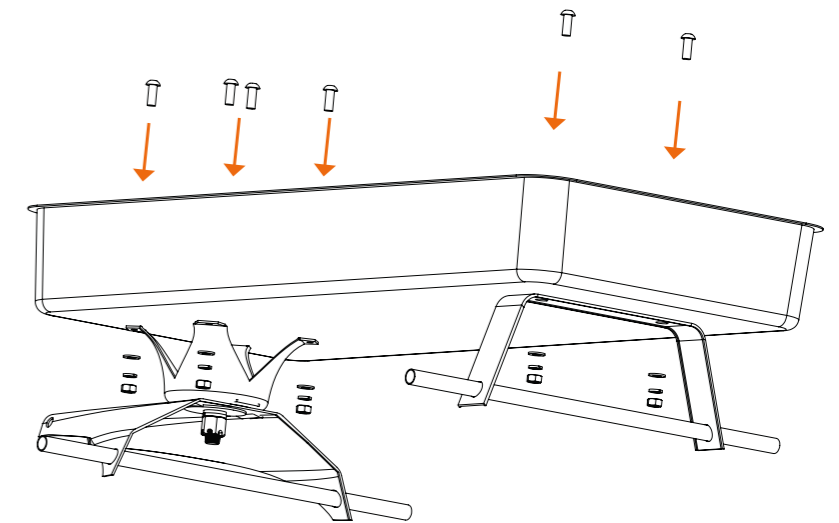
Secure with a Large Nut, Bolt and pin, with 2 Small Washers between.



STEP | 2

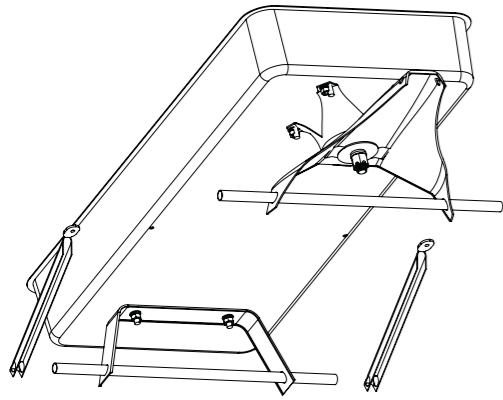
Secure the completed Front Base and Rear Base to the underside of the Cart, with Small Nuts and Bolts, with 2 Small Washers between each.

Ensure that the Front Base is facing outwards.

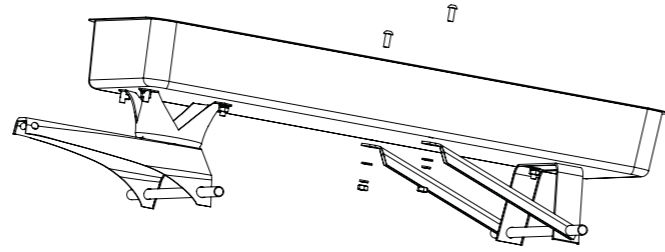


STEP | 3

A. Insert the Rear Base Supports into the sides of the Rear Base.

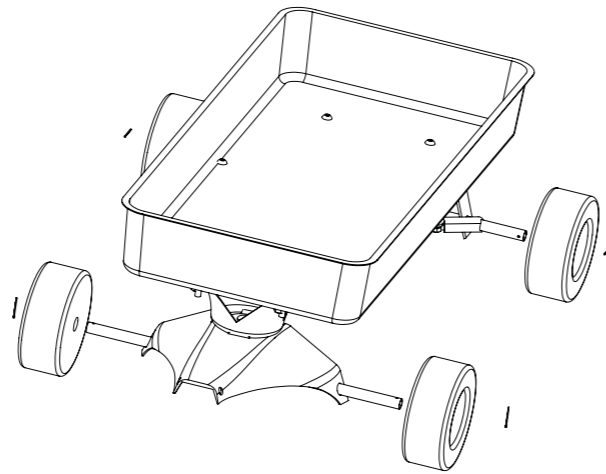


B. Position the holes on the ends at the underside of the Cart. Secure with Small Nuts and Bolts, with 2 Small Washers between each.



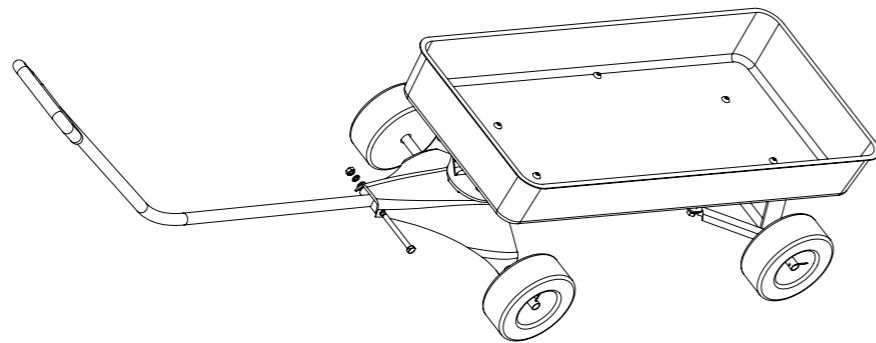
STEP | 4

Slide on the four Wheels and secure to the Front Base and Rear Base.



STEP | 5

Insert the Handle into the Front Base. Secure with a Long Bolt.



CONGRATULATIONS!

You have assembled your Scout.



vulyplay.com