



Deluxe Sandpit

LARGE

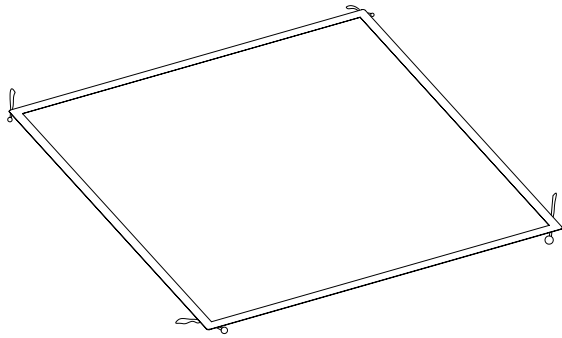


MANUAL

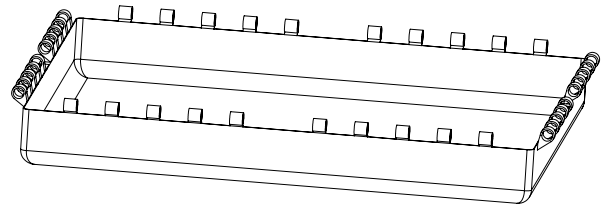
Deluxe Sandpit

LARGE

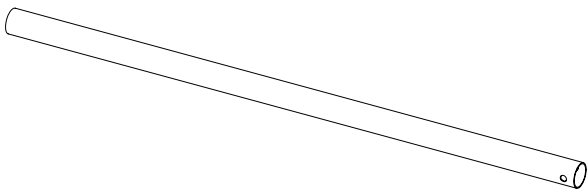
Parts List



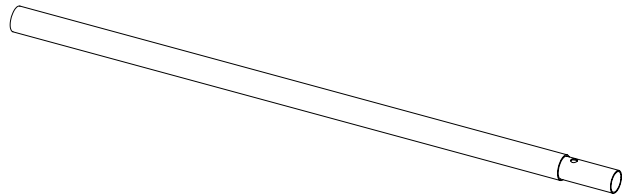
1x Cover



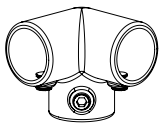
1x Fabric



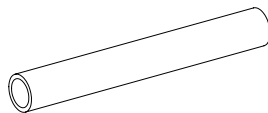
4x Frame Tube A



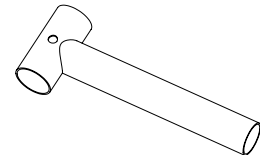
4x Frame Tube B



4x Joiner



4x Leg Tube



4x Middle Tube

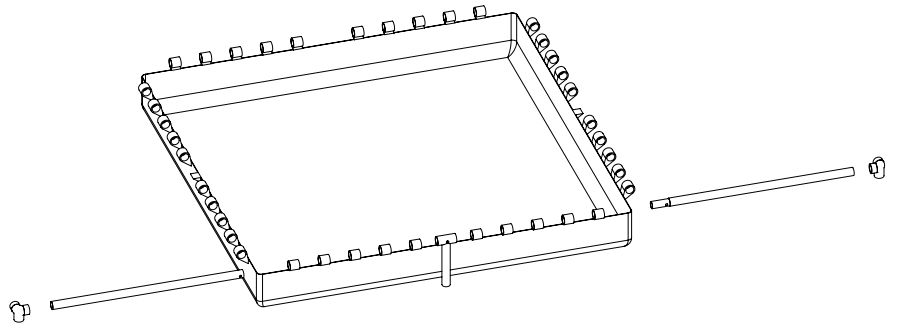
Deluxe Sandpit

LARGE

MANUAL

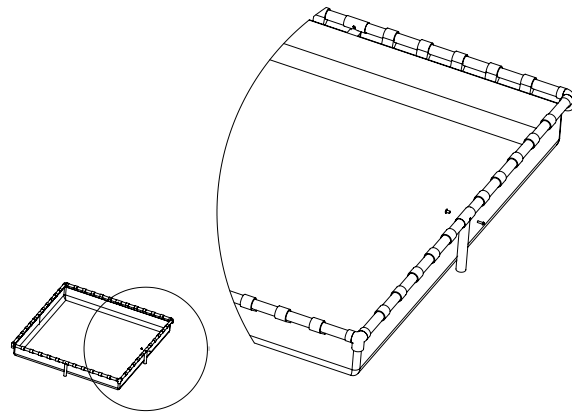
STEP | 1

- A. Position a Middle Leg in the centre of one side of the Fabric, in the large gap between the loops.
- B. Insert a Frame Tube A and B through the left and right of the loops on Fabric, respectively. Attach Joiners to the ends of these Frame Tubes.
- C. Repeat Steps 1A and 1B for the 3 other sides.



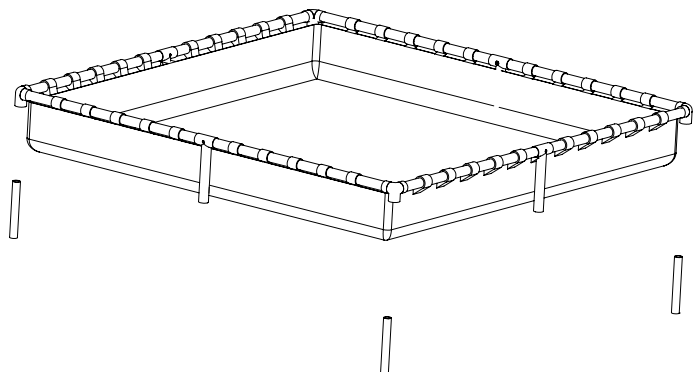
STEP | 2

Secure each Middle Leg and connected Frame Tube with a Frame Bolt.



STEP | 3

Insert a Leg Tube into the bottom of each Joiner.



Deluxe Sandpit

LARGE

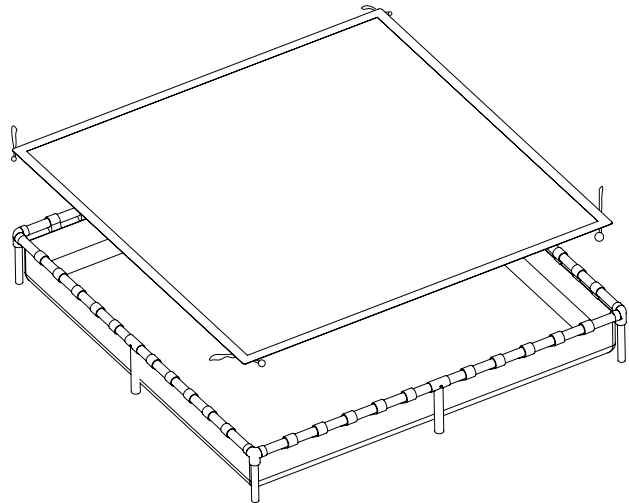
MANUAL

STEP | 4

Fill with sand.

STEP | 5

Secure the Cover by looping the toggles at the corners around the Joiners.



CONGRATULATIONS!

You have assembled your Deluxe Sandpit (Large).



ADULT SUPERVISION IS REQUIRED AT ALL TIMES WHILST EQUIPMENT IS IN USE.
VULY CARES ABOUT SAFETY.